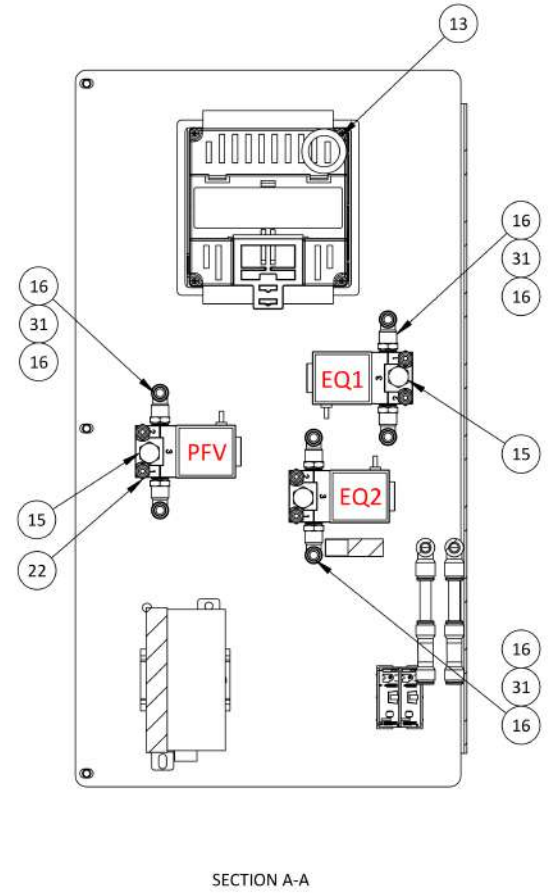
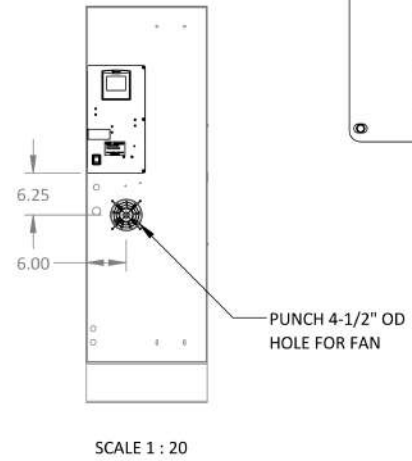
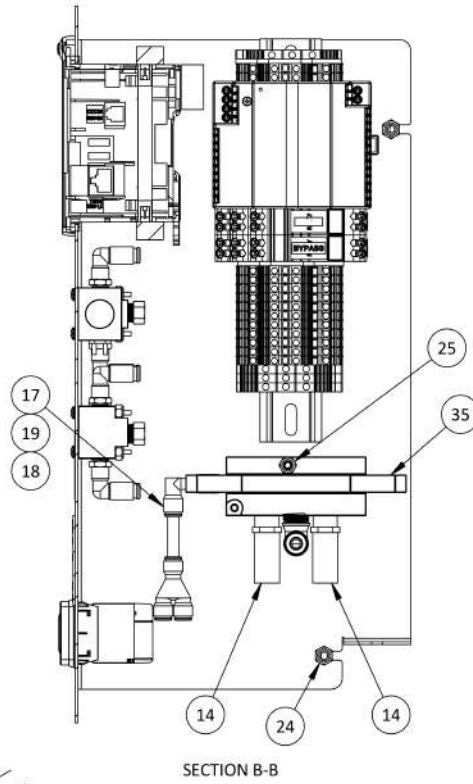
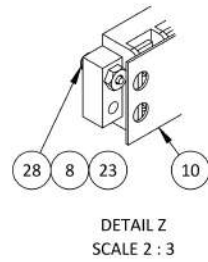
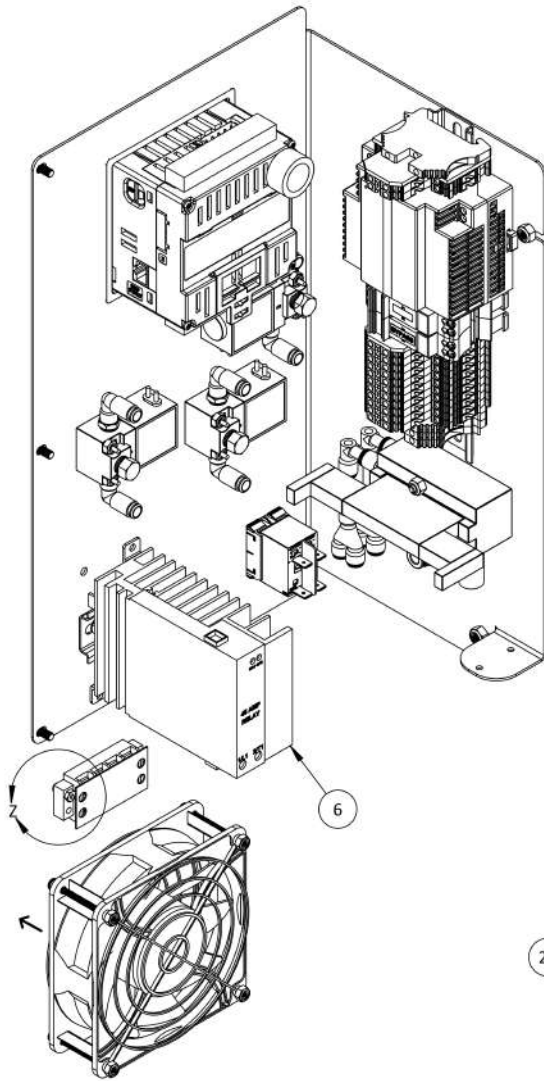
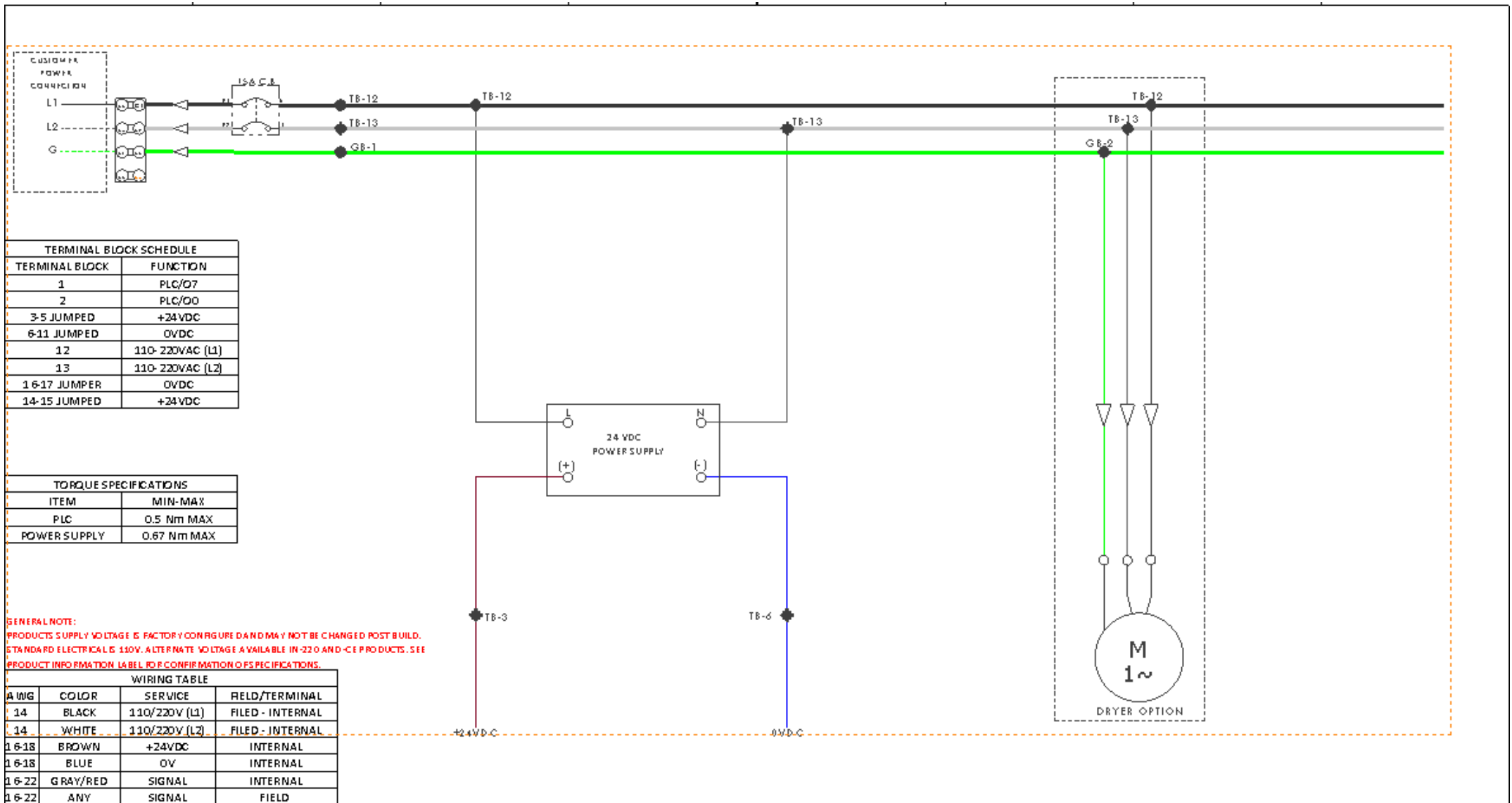
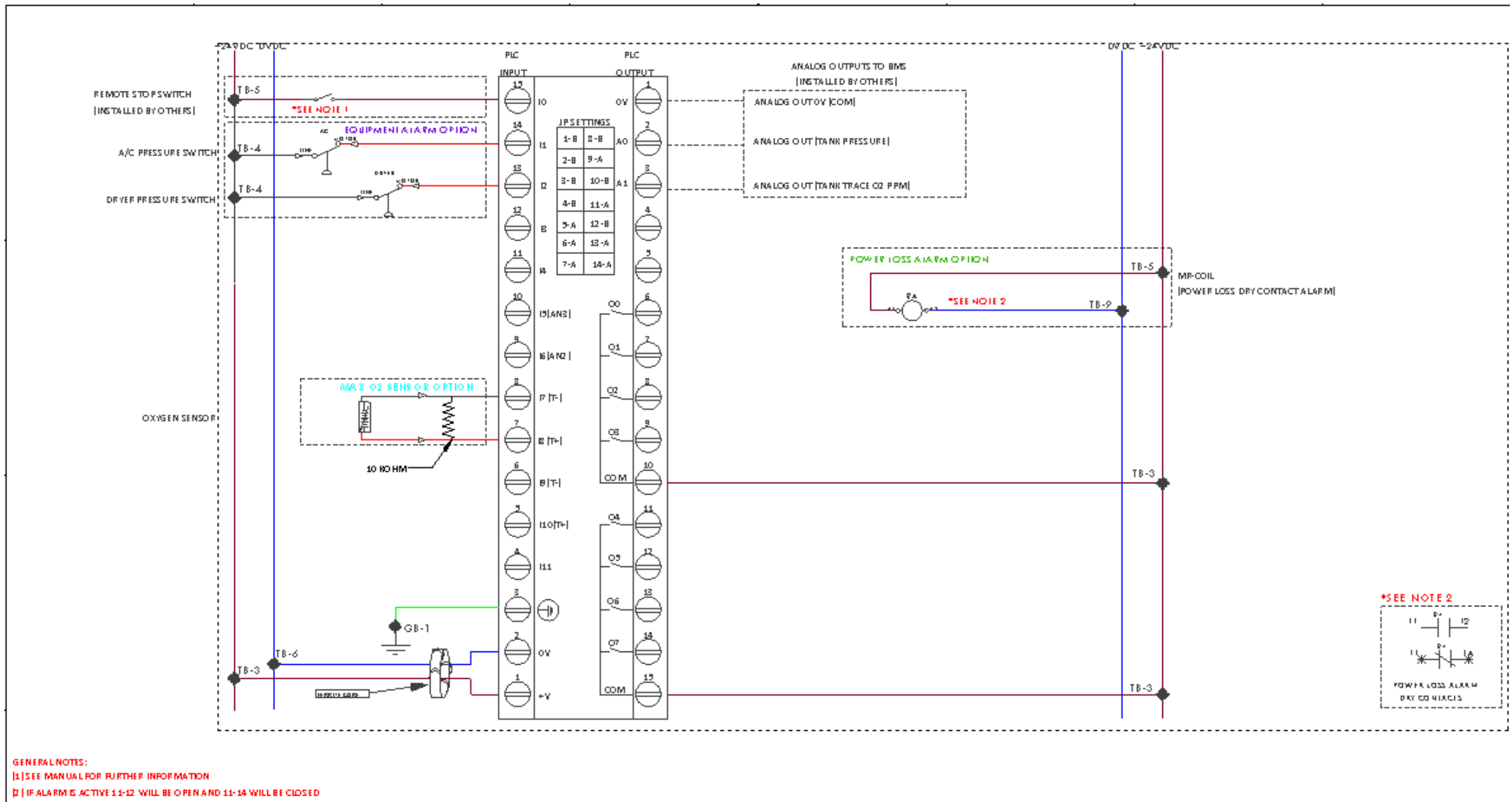


ITEM #	NUMBER	DESCRIPTION	QTY.
1	100039	STEEL FAN GUARD FOR 4.69" FAN	2
2	100041	COOLING FAN, 105 CFM, 24VDC	1
3	100145	CIRCUIT BREAKER, 15A, DPDT, W COLLAR	1
4	100224	PROGRAMMABLE LOGIC CONTROLER	1
5	100337	WAGO RELAY, 24 VDC	2
6	100362	45A RELAY WITH HEAT SINK, 4-32VDC SIGNAL	1
7	100373	SD CARD	1
8	100379	4 POST MINI TERMINAL BLOCK	1
9	100381	DIN MOUNT TERMINAL BLOCK END COVER	2
10	100388	MINI TERMINAL BLOCK COVER	1
11	100392	TERMINAL BLOCK, 4 POS 26-12AWG	13
12	100397	GROUND BLOCK, DIN RAIL MOUNT	4
13	100446	FERRITE CORE, UNITRONICS POWER WIRES	1
14	101536	0.250 NPT COMPACT MUFFLER, HIGH FLOW	2
15	101905	0.125 NPT HEX PLUG, BRASS	3
16	102075	0.125 NPT X 0.250 OD PTC SWIVEL ELBOW	6
17	102090	0.250 STEM X 0.250 OD PTC ELBOW, METAL	2
18	102091	0.250" OD PTC WYE, METAL	2
19	102092	0.250 STEM UNION, METAL	2
20	102609	#8 FLAT WASHER, ZINC FINISH	2
21	102682	8-32 LOCK NUT	4
22	102685	6-32 NYLOCK NUT	10
23	102691	4-40 HEX NUT	2
24	102692	10-32 NYLOCK NUT	2
25	102693	8-32 NYLOCK NUT	1
26	102790	8-32 X 0.250 PPHMS	2
27	102791	6-32 X 0.1250 PPHMS	6
28	102792	4-40 X 0.500 PPHMS	2
29	102794	6-32 X 0.1875" PPHMS	4
30	102804	10-32 X 0.375 PPHMS, ZINC	3
31	103257	0.125" NPT 3-WAY SOLENOID VALVE, 24 VDC	3
32	104080	TYP1P,4P FPS AND CP PLUS ELECTRICAL PANEL, RD	1
33	105527	SERIAL NUMBER LABEL	1
34	105943	UL OPEN INDUSTRIAL CONTROL PANEL LABEL	1
35	109168	0.250 NPT CCV, ASSEMBLY	1
36	111249	PWR SUPPLY, 100-240, 24V, 100W	1
37	999799	DIN RAIL, PER INCH	2
38	999799	DIN RAIL, PER INCH	9

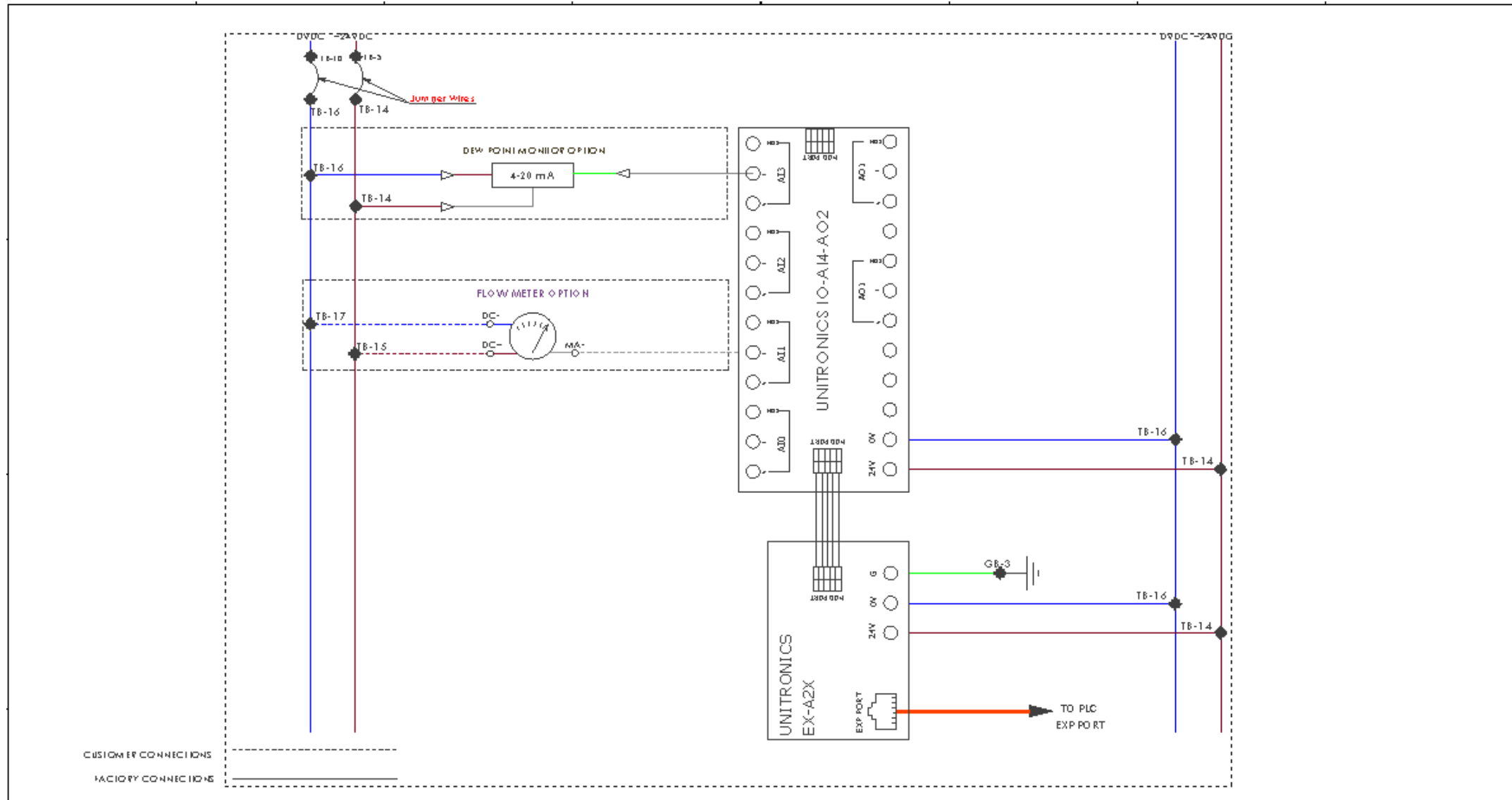


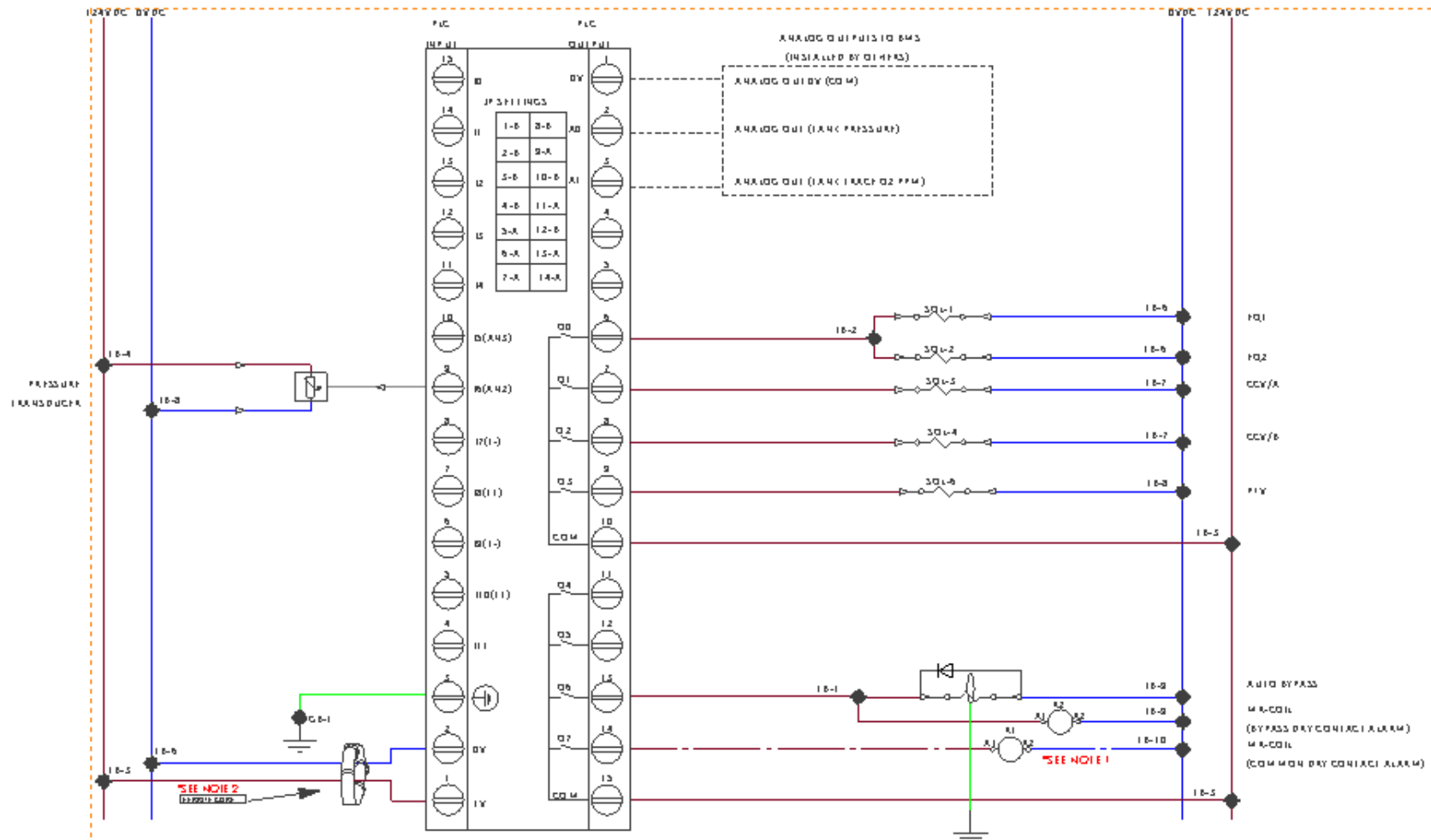




*SEE NOTE 2

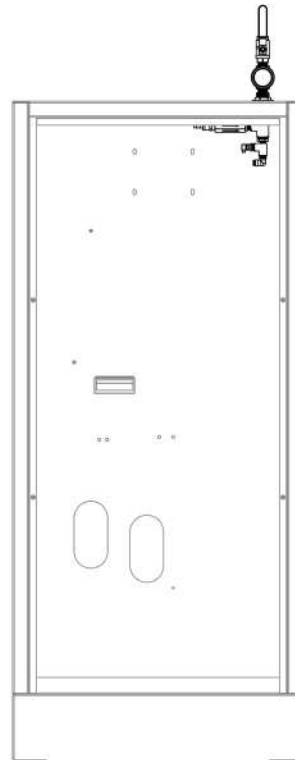
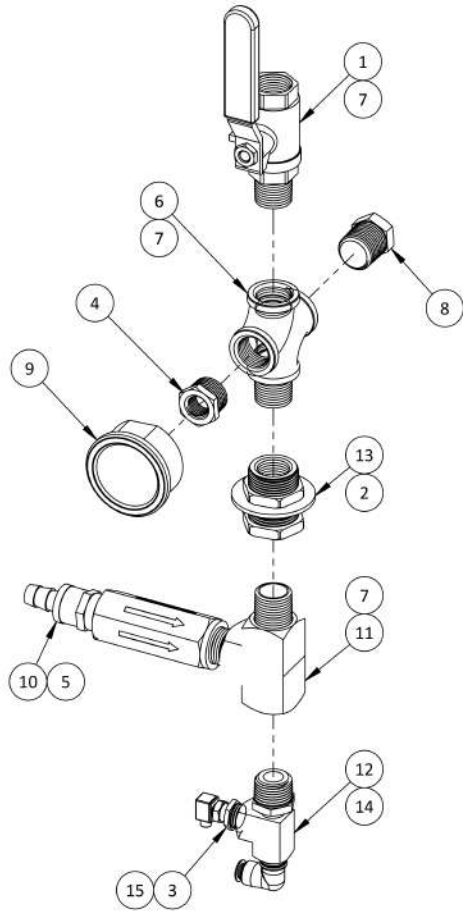






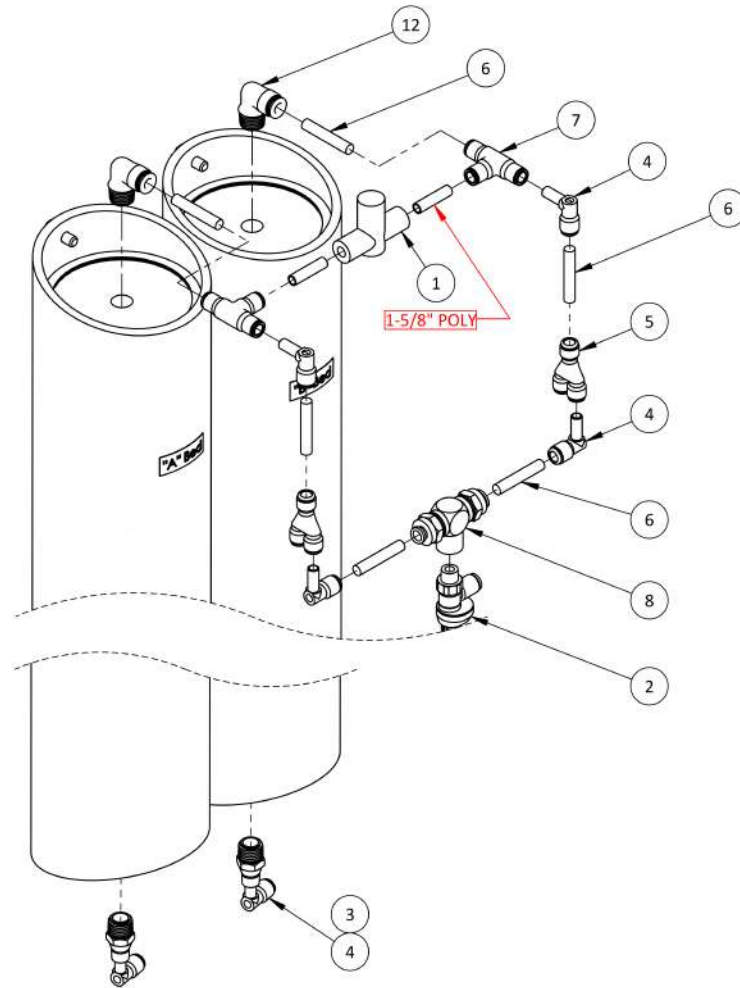
GENERAL NOTES:

- (1) IF ALARM IS ACTIVE 11-12 WILL BE CLOSED AND 11-14 WILL BE OPEN
- (2) FERRITE CORE NEEDS TO BE INSTALLED WITHIN 2' OF TERMINAL AND WRAPPED A MIN. OF 2X

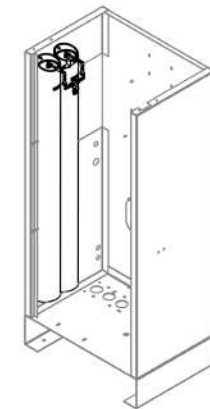


SCALE 1 : 12

ITEM #	NUMBER	DESCRIPTION	QTY.
1	100776	0.500" NPT F BALL VALVE, BRASS	1
2	100897	0.500 NPT F BULKHEAD, BRASS	1
3	100916	0.250 NPT X 0.125 NPT BUSHING, BRASS	1
4	100999	0.500 NPT X 0.250 NPT BUSHING, BRASS	2
5	101065	0.500 NPT F CHECK VALVE, BRASS	1
6	101208	0.500" NPT F CROSS, BRASS	1
7	101676	0.500 NPT CLOSE NIPPLE, BRASS	4
8	101895	0.500 NPT PLUG, BRASS	1
9	101943	0.250 NPT X 02.000 RMPG, 0-160 PSI	1
10	101995	0.500 NPT X 0.500 PUSH-ON BARB SWIVEL, PS	1
11	102305	0.500 NPT F TEE, BRASS	1
12	102313	0.250 NPT STREET TEE, BRASS	1
13	102597	01.125" ID X 01.750" OD WASHER FOR BULKHEADS	1
14	105917	0.250 NPT X 0.250 OD PTC SWIVEL ELBOW	1
15	111219	0.125 NPT PRESS SNSR, 1-5 ANLG OUT	1



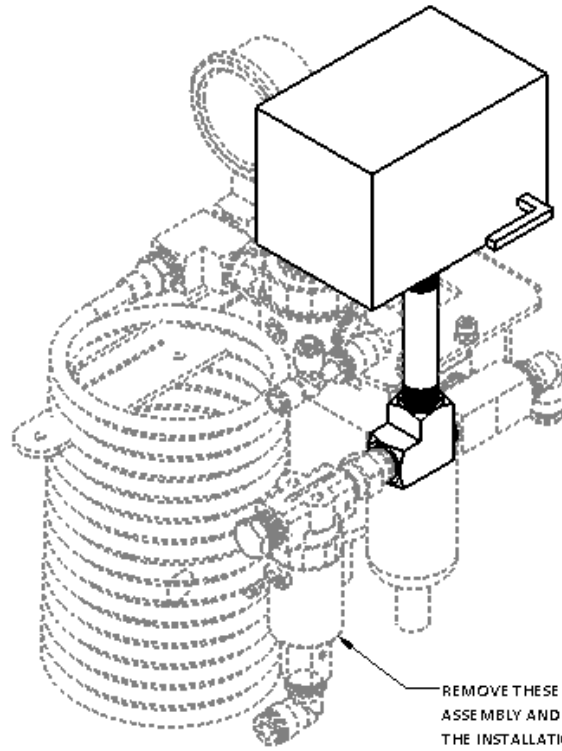
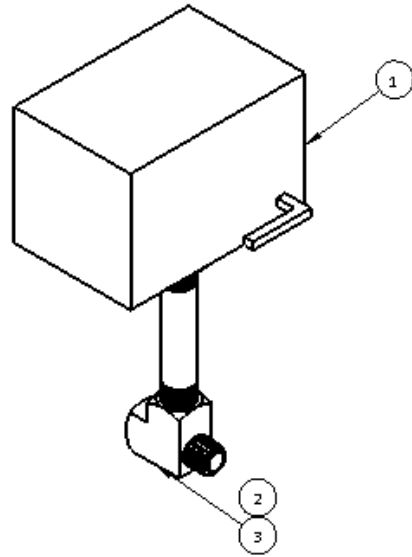
ITEM #	NUMBER	DESCRIPTION	QTY.
1	101464	0.250 OD PTC FLOW CONTROL	1
2	101470	0.125 NPT X 0.250 OD PTC ELBOW FLOW CONTROLLER	1
3	102066	0.250 NPT X 0.250 OD PTC STRAIGHT	2
4	102090	0.250 STEM X 0.250 OD PTC ELBOW, METAL	6
5	102091	0.250" OD PTC WYE, METAL	2
6	102092	0.250 STEM UNION, METAL	6
7	102093	0.250 OD PTC TEE, METAL	2
8	102188	0.250" OD INPUT 0.125" NPT OUTPUT SHUTTLE VALVE	1
9	102611	0.250 ZINC FINISH SAE FLAT WASHER	4
10	102836	0.250- 20 X 0.625 HEX CAP SCREW	4
11	102973	0.250" OD NATURAL POLYETHYLENE TUBING, PER IN	2
12	105917	0.250 NPT X 0.250 OD PTC SWIVEL ELBOW	2
13	110333	04.000 OD X 48.000 MINI SIEVE BED ASSEMBLY	2



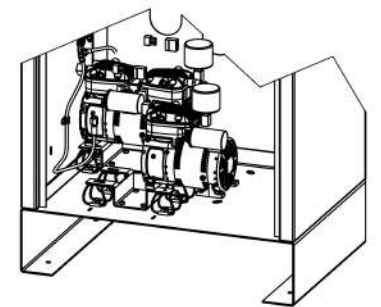
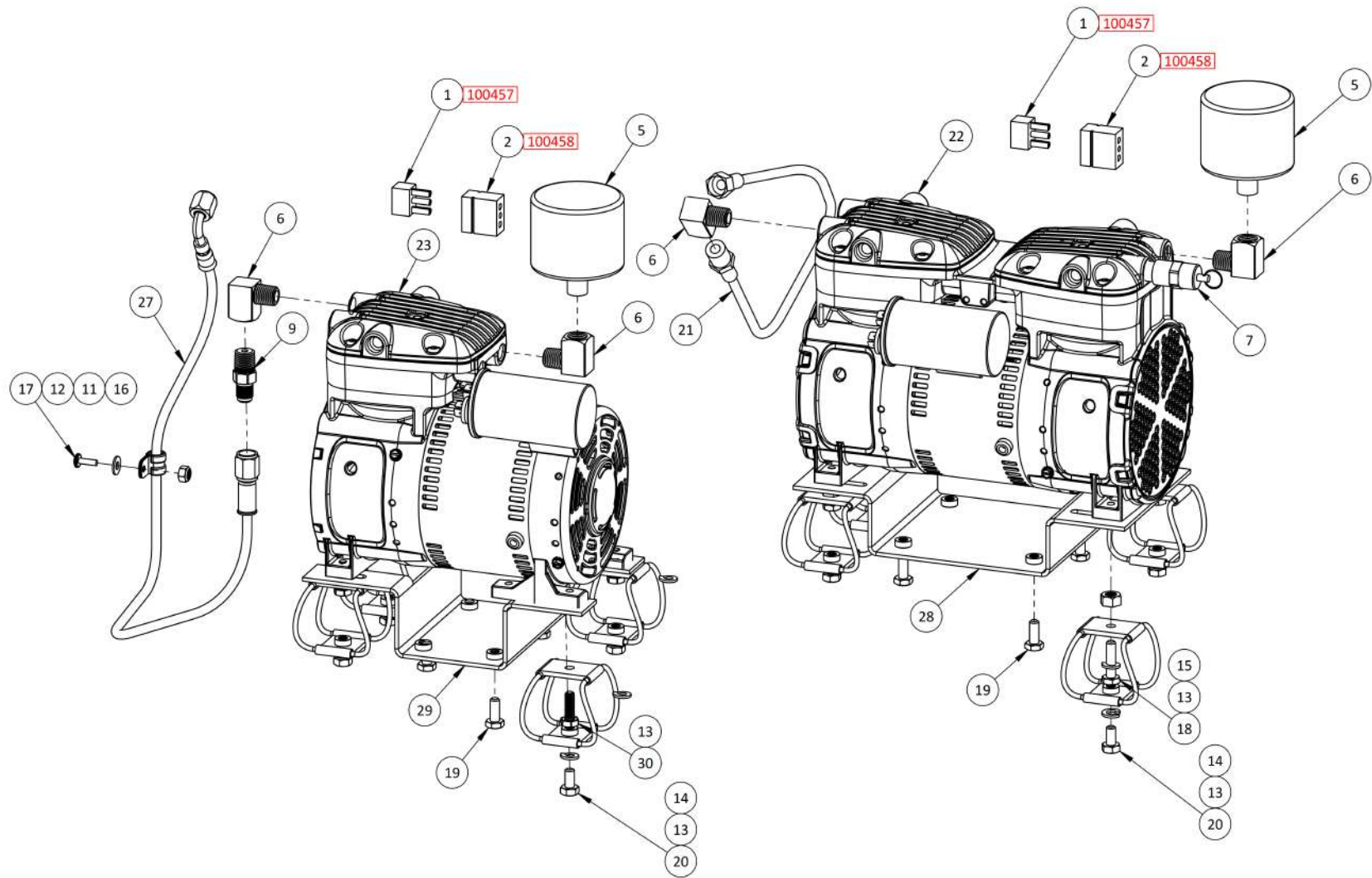
SCALE 1 : 22

B20-A-002I-SERVICE, TYP4P, EQUIPMENT ALARM INSTRUMENTATION ASSEMBLY, 03			
ITEM #	STS PART #	DESCRIPTION	QTY.
1	002-340	0.250" NPT PRESSURE SWITCH, 5-150 PSI, DELTA 30-40 PSI	1
2	001-106	0.250 NPT X 03.000 L NIPPLE, BRASS	1
3	124-380	0.250 NPT STREET TEE, BRASS	1

SET PRESSURE SWITCH TO CUT IN
AT 30 PSI AND CUT OUT AT 60 PSI

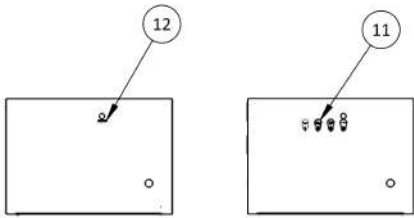


REMOVE THESE COMPONENTS FROM FILTER
ASSEMBLY AND REINSTALL AS SHOWN AFTER
THE INSTALLATION OF ALARM PARTS

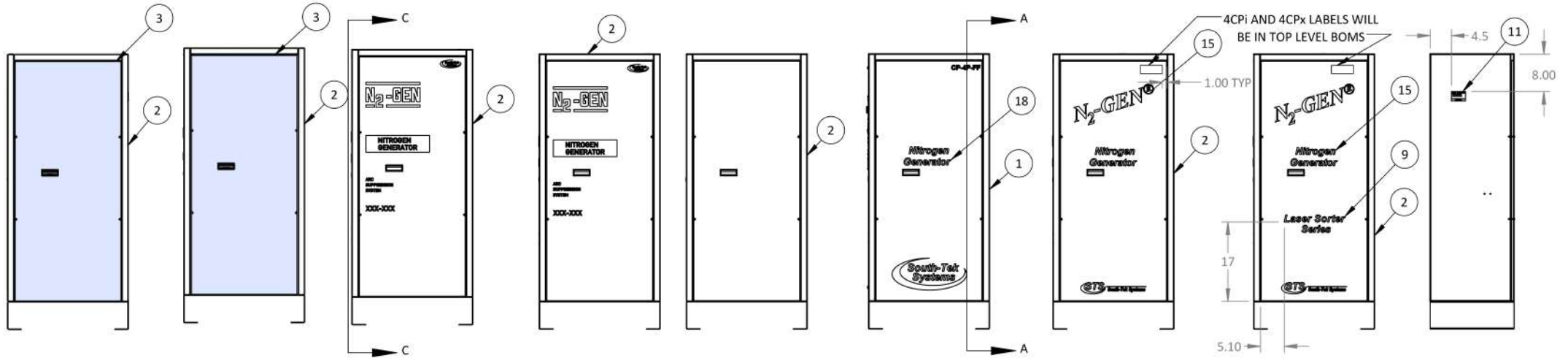


SCALE 1 : 12

ITEM #	NUMBER	DESCRIPTION	TYP4P-09-HP-R3	TYP4P-09-BU-RO	TYP4P-09-CE-R1	TYP4P-09-220V-RO	TYP4P-09-HP-220V-RO	TYP4P-09-BU-220V-RO	TYP4P-09-R4
1	100450	3 PIN PLUG	2	2	1	1	2	2	1
2	100452	3 PIN CAP	2	2	1	1	2	2	1
3	100457	MALE UNIVERSAL PIN, 20-14 AWG, PRE-TINNED BRASS	6	6	3	3	6	6	3
4	100458	FEMALE UNIVERSAL SOCKET	6	6	3	3	6	6	3
5	100706	0.250" NPT PRE-COMPRESSOR FILTER, 2 MICRON	2	2	1	1	2	2	1
6	101271	0.250 NPT STREET ELBOW, BRASS	4	3	2	2	4	3	2
7	102153	0.250 NPT SAFETY RELIEF VALVE, 1.25 PSI, 110 SCFM	1	2	-	1	1	2	1
8	102172	0.250 SAFETY RELIEF, 115 PSI, BRASS, CE	-	-	1	-	-	-	-
9	102217	0.250 NPT X 0.250 FLARE BEVERAGE CONNECTOR	1	1	-	-	1	1	-
10	102283	0.250 NPT F X 0.250 NPT M X 0.250 NPT F BRANCH TEE, BRASS	-	1	-	-	-	1	-
11	102512	0.375" OD RUBBER CUSHIONED LOOP CLAMP	1	2	1	1	1	2	1
12	102608	#10 SAE FLAT WASHER, ZINC	1	2	1	1	1	2	1
13	102616	0.250 SPLIT LOCK WASHER	16	16	8	8	16	16	8
14	102643	WIRE ROPE ISOLATER	8	8	4	4	8	8	4
15	102683	0.3125" HEX NUT	4	8	4	4	4	8	4
16	102692	10-32 NYLOCK NUT	1	2	1	1	1	2	1
17	102799	10-32 X 0.500" PPHMS, ZINC	1	2	1	1	1	2	1
18	102845	0.250-20 X 0.000 HEX BOLT, GR8	4	8	4	4	4	8	4
19	102847	0.250"-20 X 0.625" HEX BOLT	8	8	4	4	8	8	4
20	102858	0.250-20 X 0.500 HHCS	8	8	4	4	8	8	4
21	103014	0.250 NPT X 0.250 JIC F, 14.000 HOSE ASSEMBLY	1	-	-	-	1	-	-
22	103407	S-400 DUAL HEAD COMPRESSOR, 120V	1	2	-	-	-	-	1
22	111487	S400 DUAL HEAD COMPRESSOR, 220V	-	-	1	1	1	2	-
23	103409	S-200 COMPRESSOR, 120V	1	-	-	-	-	-	-
23	111486	S200 COMPRESSOR, 220V	-	-	-	-	1	-	-
24	106671	0.250 ID X 29.000 L HOSE, 0.250 NPT M X 0.250 JIC F	-	-	1	1	-	-	1
25	106671	0.250 ID X 29.000 L HOSE, 0.250 NPT M X 0.250 JIC F	-	1	-	-	-	1	-
26	106671	0.250 ID X 29.000 L HOSE, 0.250 NPT M X 0.250 JIC F	-	1	-	-	-	1	-
27	106749	20.250" HOSE ASSEMBLY	1	-	-	-	1	-	-
28	107848	S-400 SHIP AND LOCK	1	2	1	1	1	2	1
29	106653	BEERBLAST 200 SHIP AND LOCK	1	-	-	-	1	-	-
30	999129	1/4-20 X 3/4" HEX CAP SCREW	4	-	-	-	4	-	-



ITEM #	STS PART #	DESCRIPTION	TYP4P-06-BB-14KPH-R1 /QTY.	TYP4P-06-NP-14KPH-R1 /QTY.	TYP4P-06-TL-1050-R1 /QTY.	TYP4P-06-4CP-LS-R1 /QTY.	TYP4P-06-4CP-WH-R1 /QTY.	TYP4P-06-4CP-GR-R1 /QTY.	TYP4P-06-TL-1825-R1 /QTY.	TYP4P-06-FPS-CE-R1 /QTY.	TYP4P-06-FPS-R1 /QTY.
1	002-264	0.875" PUSH-IN METAL PLUG	1	1	1	1	1	1	1	1	1
2	002-301-WH	TYP4P, CABINET FABRICATION	1	1	1	1	1	-	1	-	-
2	002-301-GR	TYP4P, CABINET FABRICATION	-	-	-	-	-	1	-	-	-
2	002-301-RD	TYP4P, CABINET FABRICATION	-	-	-	-	-	-	-	1	1
3	004-557	BB 14KPH FRONT COVER LABEL	1	1	-	-	-	-	-	-	-
4	005-278-A	CE SERIAL NUMBER LABEL, NON TANK	-	-	-	-	-	-	-	1	-
5	005-295	GROUND SYMBOL LABEL	-	-	-	-	-	-	-	2	-
6	005-341	CAUTION LABEL (MADE HERE)	-	-	-	-	-	-	-	1	-
7	005-342	CAUTION LABEL (MADE HERE)	-	-	-	-	-	-	-	1	-
8	005-343	ARC FLASH CAUTION LABEL (MADE HERE)	-	-	-	-	-	-	-	1	-
9	005-431-WH	LASER SORTER SERIES LABEL	-	-	-	1	-	-	-	-	-
10	124-302	SERIAL NUMBER LABEL	1	1	1	1	1	1	1	1	1
11	124-909-BP	BEERBLAST 14KPH LABEL SET	1	-	-	-	-	-	-	-	-
12	124-909-NP	N2-GEN 14KPH Label Set	-	1	-	-	-	-	-	-	-
13	685-910-H	TL-1050 LABEL SET	-	-	1	-	-	-	-	-	-
14	685-910-I	TL-1825 LABEL SET	-	-	-	-	-	-	1	-	-
15	TYP4P-4CP-LS-GR	4CP MODELS SHARED LABEL SET	-	-	-	-	1	-	-	-	-
15	TYP4P-4CP-LS-WH	4CP MODELS SHARED LABEL SET	-	-	-	1	-	1	-	-	-



SEE DRAWING ASSEMBLY
124-909-NP FOR LABEL
PLACEMENT

SEE DRAWING ASSEMBLY
124-909-BP FOR LABEL
PLACEMENT

SEE DRAWING ASSEMBLY
685-910-H FOR LABEL
PLACEMENT

SEE DRAWING ASSEMBLY
685-910-I FOR LABEL
PLACEMENT

SEE DRAWING ASSEMBLY
TYP4P-FPS-LS FOR LABEL
PLACEMENT

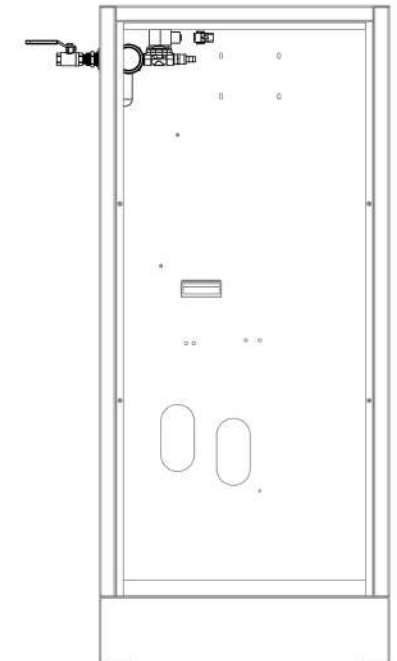
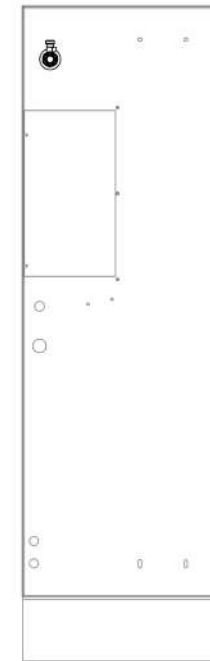
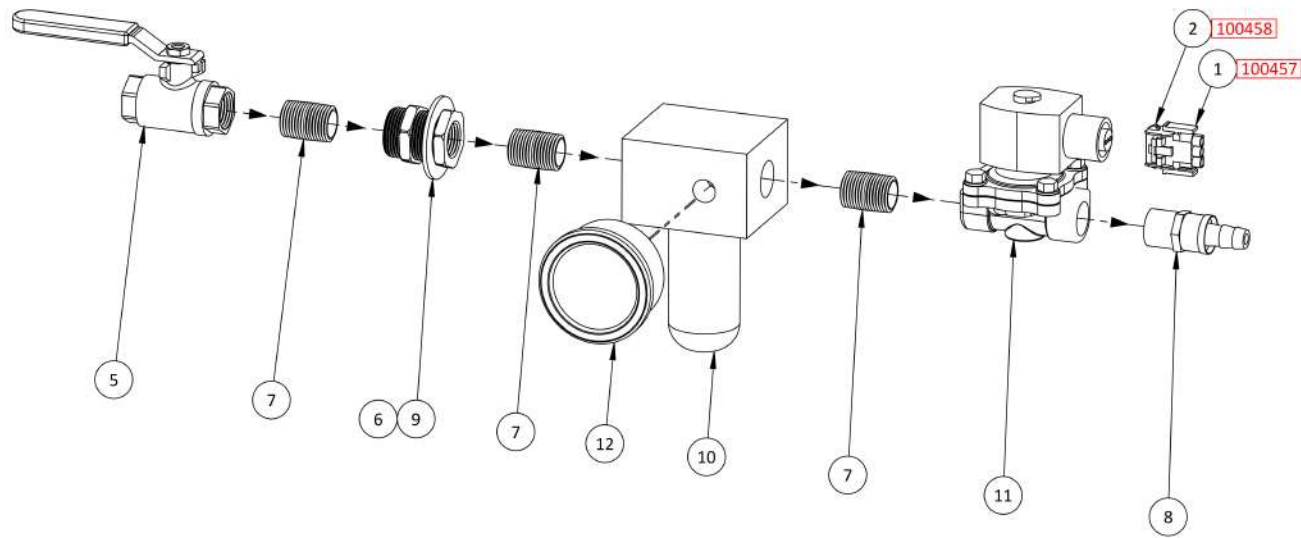
SEE DRAWING ASSEMBLY
124-907-CP-4P-FF FOR
LABEL PLACEMENT

SEE DRAWING ASSEMBLY
TYP4P-4CPI-LS FOR
LABEL PLACEMENT

SEE DRAWING ASSEMBLY
TYP4P-4CPI-LS FOR
LABEL PLACEMENT

SECTION A-A

ITEM #	NUMBER	DESCRIPTION	QTY.
1	100450	3 PIN PLUG	1
2	100452	3 PIN CAP	1
3	100457	MALE UNIVERSAL PIN, 20-14 AWG, PRE-TINNED BRASS	2
4	100458	FEMALE UNIVERSAL SOCKET	2
5	100776	0.500" NPT F BALL VALVE, BRASS	1
6	100897	0.500 NPT F BULKHEAD, BRASS	1
7	101676	0.500 NPT CLOSE NIPPLE, BRASS	3
8	101995	0.500 NPT X 0.500 PUSH-ON BARB SWIVEL, PS	1
9	102597	01.125" ID X 01.750" OD WASHER FOR BULKHEADS	1
10	103100	0.500 NPT REGULATOR, 88 SCFM, ADJUSTING RANGE 0 TO 250 PSI	1
11	103274	0.500 NPT 2 WAY SOLENOID VALVE, 24VC	1
12	101943	0.250 NPT X 02.000 RMPG, 0-160 PSI	1



SCALE 1 : 12