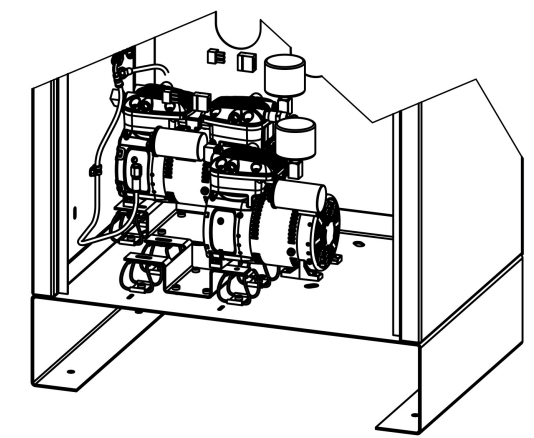
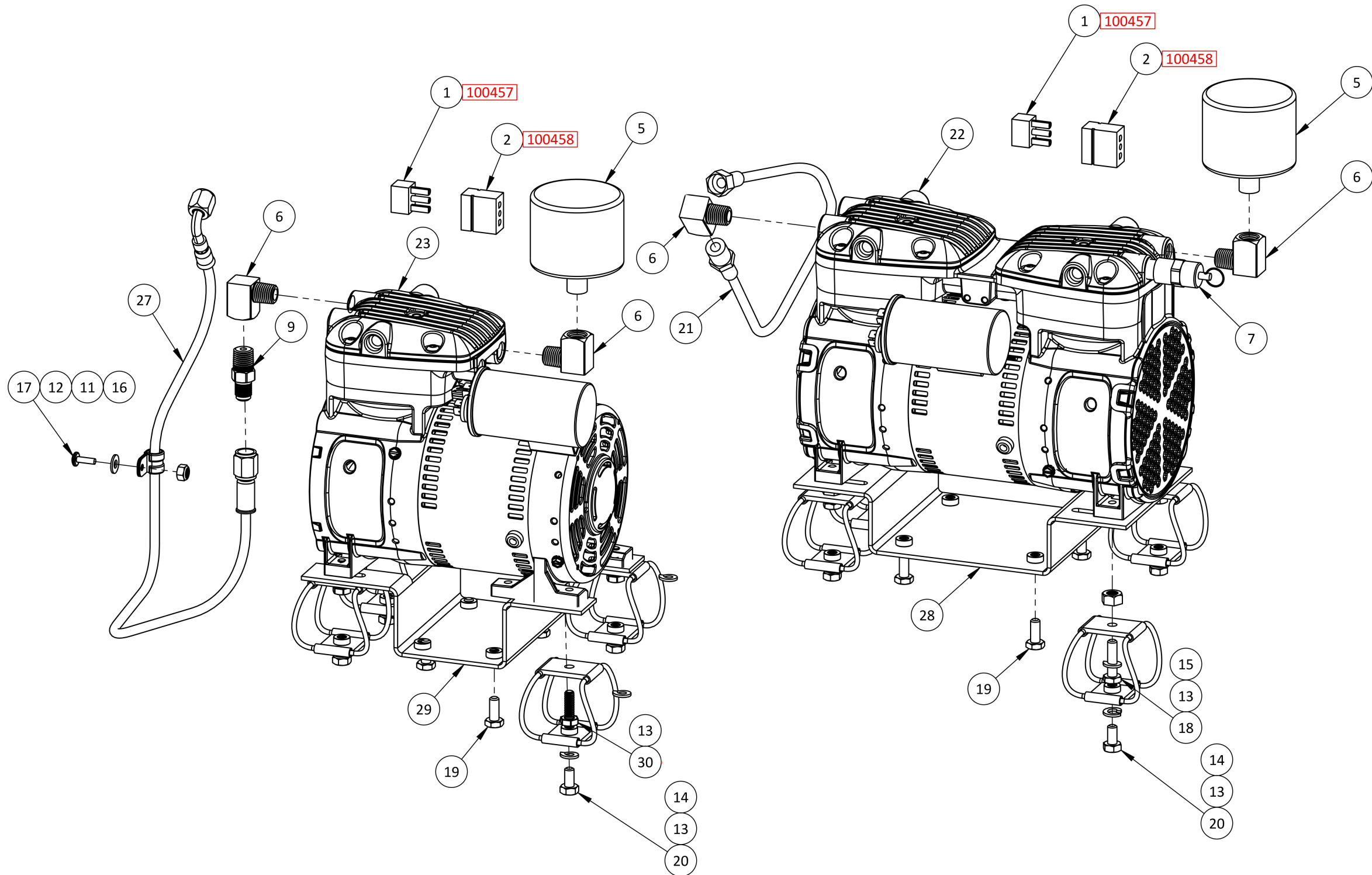


ITEM #	NUMBER	DESCRIPTION	TYP4P-09-HP-R3	TYP4P-09-BU-RO	TYP4P-09-CE-R1	TYP4P-09-220V-RO	TYP4P-09-HP-220V-RO	TYP4P-09-BU-220V-RO	TYP4P-09-R4
1	100450	3 PIN PLUG	2	2	1	1	2	2	1
2	100452	3 PIN CAP	2	2	1	1	2	2	1
3	100457	MALE UNIVERSAL PIN, 20-14 AWG, PRE-TINNED BRASS	6	6	3	3	6	6	3
4	100458	FEMALE UNIVERSAL SOCKET	6	6	3	3	6	6	3
5	100706	0.250" NPT PRE-COMPRESSOR FILTER, 2 MICRON	2	2	1	1	2	2	1
6	101271	0.250 NPT STREET ELBOW, BRASS	4	3	2	2	4	3	2
7	102153	0.250 NPT SAFETY RELIEF VALVE, 125 PSI, 110 SCFM	1	2	-	1	1	2	1
8	102172	0.250 SAFETY RELIEF, 115 PSI, BRASS, CE	-	-	1	-	-	-	-
9	102217	0.250 NPT X 0.250 FLARE BEVERAGE CONNECTOR	1	1	-	-	1	1	-
10	102283	0.250 NPT F X 0.250 NPT M X 0.250 NPT F BRANCH TEE, BRASS	-	1	-	-	-	1	-
11	102512	0.375" OD RUBBER CUSHIONED LOOP CLAMP	1	2	1	1	1	2	1
12	102608	#10 SAE FLAT WASHER, ZINC	1	2	1	1	1	2	1
13	102616	0.250 SPLIT LOCK WASHER	16	16	8	8	16	16	8
14	102643	WIRE ROPE ISOLATER	8	8	4	4	8	8	4
15	102683	0.3125" HEX NUT	4	8	4	4	4	8	4
16	102692	10-32 NYLOCK NUT	1	2	1	1	1	2	1
17	102799	10-32 X 0.500" PPHMS, ZINC	1	2	1	1	1	2	1
18	102845	0.250-20 X 0.000 HEX BOLT, GR8	4	8	4	4	4	8	4
19	102847	0.250"-20 X 0.625" HEX BOLT	8	8	4	4	8	8	4
20	102858	0.250-20 X 0.500 HHCS	8	8	4	4	8	8	4
21	103014	0.250 NPT X 0.250 JIC F, 14.000 HOSE ASSEMBLY	1	-	-	-	1	-	-
22	103407	S-400 DUAL HEAD COMPRESSOR, 120V	1	2	-	-	-	-	1
22	111487	S400 DUAL HEAD COMPRESSOR, 220V	-	-	1	1	1	2	-
23	103409	S-200 COMPRESSOR, 120V	1	-	-	-	-	-	-
23	111486	S200 COMPRESSOR, 220V	-	-	-	-	1	-	-
24	106671	0.250 ID X 29.000 L HOSE, 0.250 NPT M X 0.250 JIC F	-	-	1	1	-	-	1
25	106671	0.250 ID X 29.000 L HOSE, 0.250 NPT M X 0.250 JIC F	-	1	-	-	-	1	-
26	106671	0.250 ID X 29.000 L HOSE, 0.250 NPT M X 0.250 JIC F	-	1	-	-	-	1	-
27	106749	20.250" HOSE ASSEMBLY	1	-	-	-	1	-	-
28	107848	S-400 SHIP AND LOCK	1	2	1	1	1	2	1
29	106653	BEERBLAST 200 SHIP AND LOCK	1	-	-	-	1	-	-
30	999129	1/4-20 X 3/4" HEX CAP SCREW	4	-	-	-	4	-	-



SCALE 1 : 12