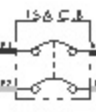


ES-TYP4P-FPS(H)-P(x), TYP4P, FPS HW ELECTRICAL SCHEMATIC FOR PLUS UNITS WITH DRYER (1) - Rev. 5

CUSTOMER
POWER
CONNECTION

L1
L2
G



TB-12
TB-13
GB-1

TB-12

TB-13

TB-12

TB-13
GB-2

TERMINAL BLOCK SCHEDULE	
TERMINAL BLOCK	FUNCTION
1	PLC/O7
2	PLC/O0
3-5 JUMPED	+24VDC
6-11 JUMPED	OVDC
12	110-220VAC (L1)
13	110-220VAC (L2)
16-17 JUMPER	OVDC
14-15 JUMPED	+24VDC

TORQUE SPECIFICATIONS	
ITEM	MIN-MAX
PLC	0.5 Nm MAX
POWER SUPPLY	0.67 Nm MAX

GENERAL NOTE:
 PRODUCTS SUPPLY VOLTAGE IS FACTORY CONFIGURE DA AND MAY NOT BE CHANGED POST BUILD.
 STANDARD ELECTRICAL IS 110V. ALTERNATE VOLTAGE IS AVAILABLE IN -220 AND -CEP PRODUCTS. SEE
 PRODUCT INFORMATION LABEL FOR CONFIRMATION OF SPECIFICATIONS.

WIRING TABLE			
AWG	COLOR	SERVICE	FIELD/TERMINAL
14	BLACK	110/220V (L1)	FIELD - INTERNAL
14	WHITE	110/220V (L2)	FIELD - INTERNAL
16-18	BROWN	+24VDC	INTERNAL
16-18	BLUE	OV	INTERNAL
16-22	GRAY/RED	SIGNAL	INTERNAL
16-22	ANY	SIGNAL	FIELD

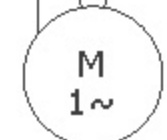


TB-3

TB-6

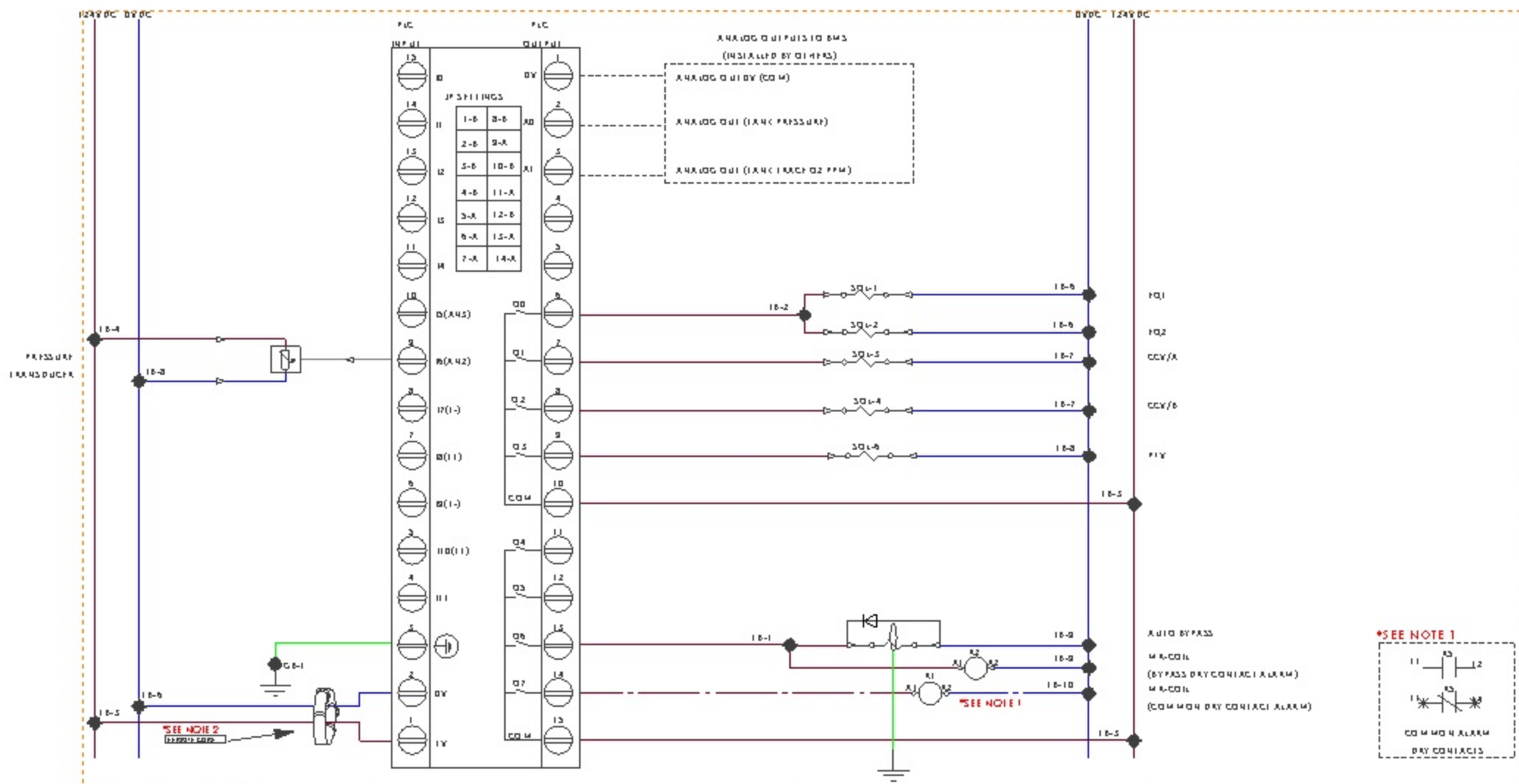
+24VDC

OVDC



DRYER OPTION

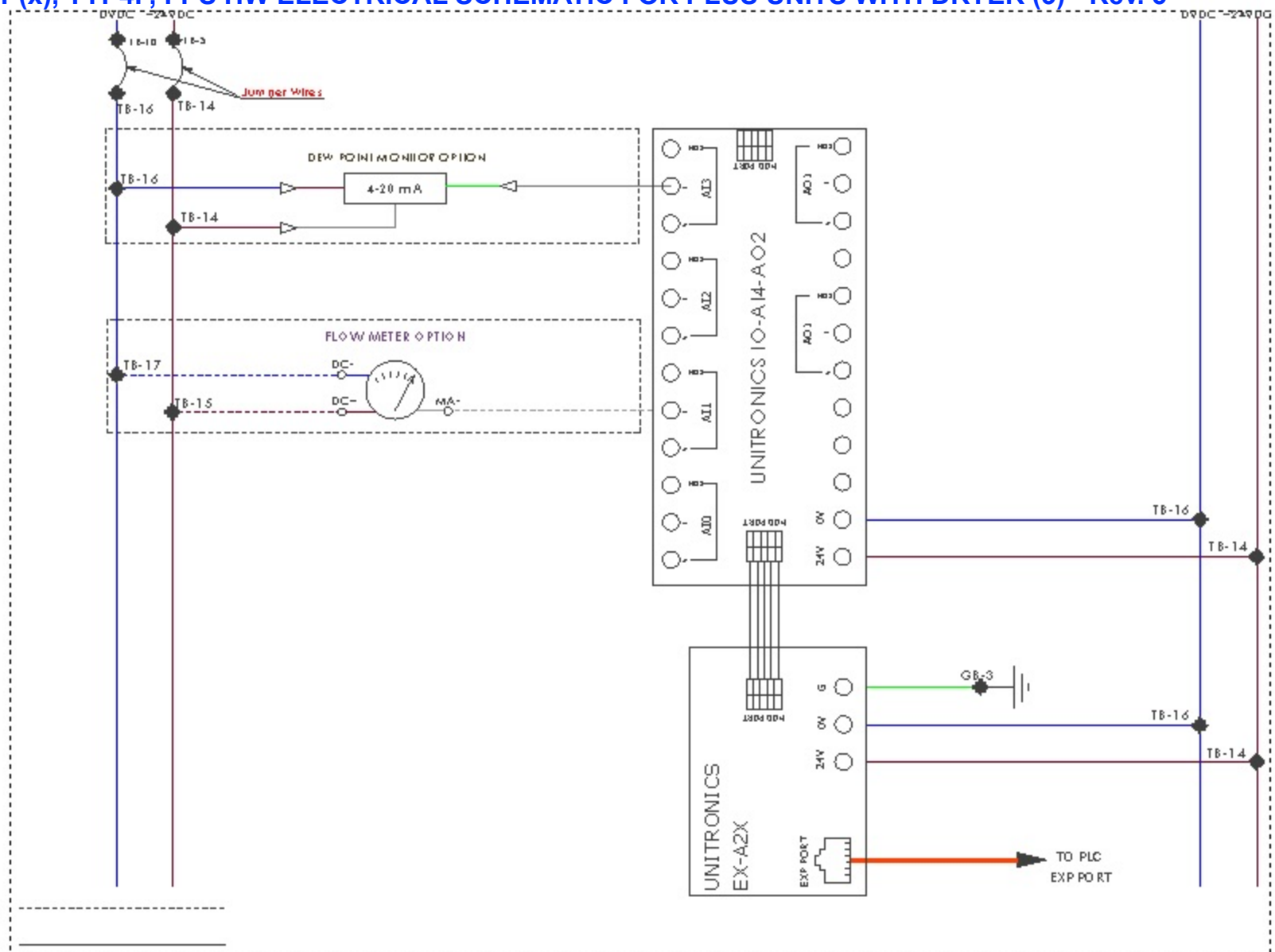
ES-TYP4P-FPS(H)-P(x), TYP4P, FPS HW ELECTRICAL SCHEMATIC FOR PLUS UNITS WITH DRYER (2) - Rev. 5



GENERAL NOTES:

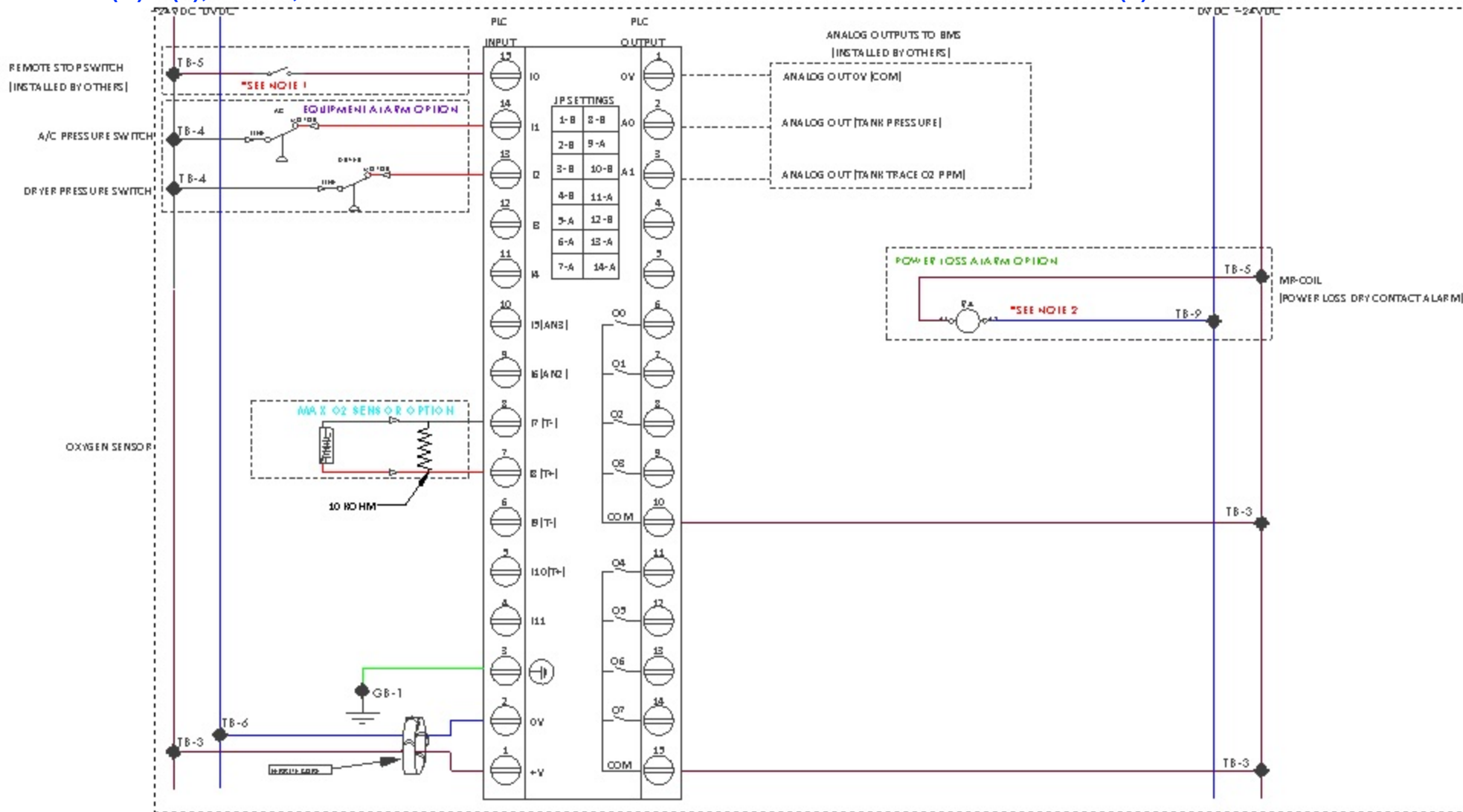
- (1) IF ALARM IS ACTIVE 11-12 WILL BE CLOSED AND 11-14 WILL BE OPEN
- (2) FERRITE CORE NEEDS TO BE INSTALLED WITHIN 2' OF TERMINAL AND WRAPPED A MIN. OF 2X

ES-TYP4P-FPS(H)-P(x), TYP4P, FPS HW ELECTRICAL SCHEMATIC FOR PLUS UNITS WITH DRYER (3) - Rev. 5



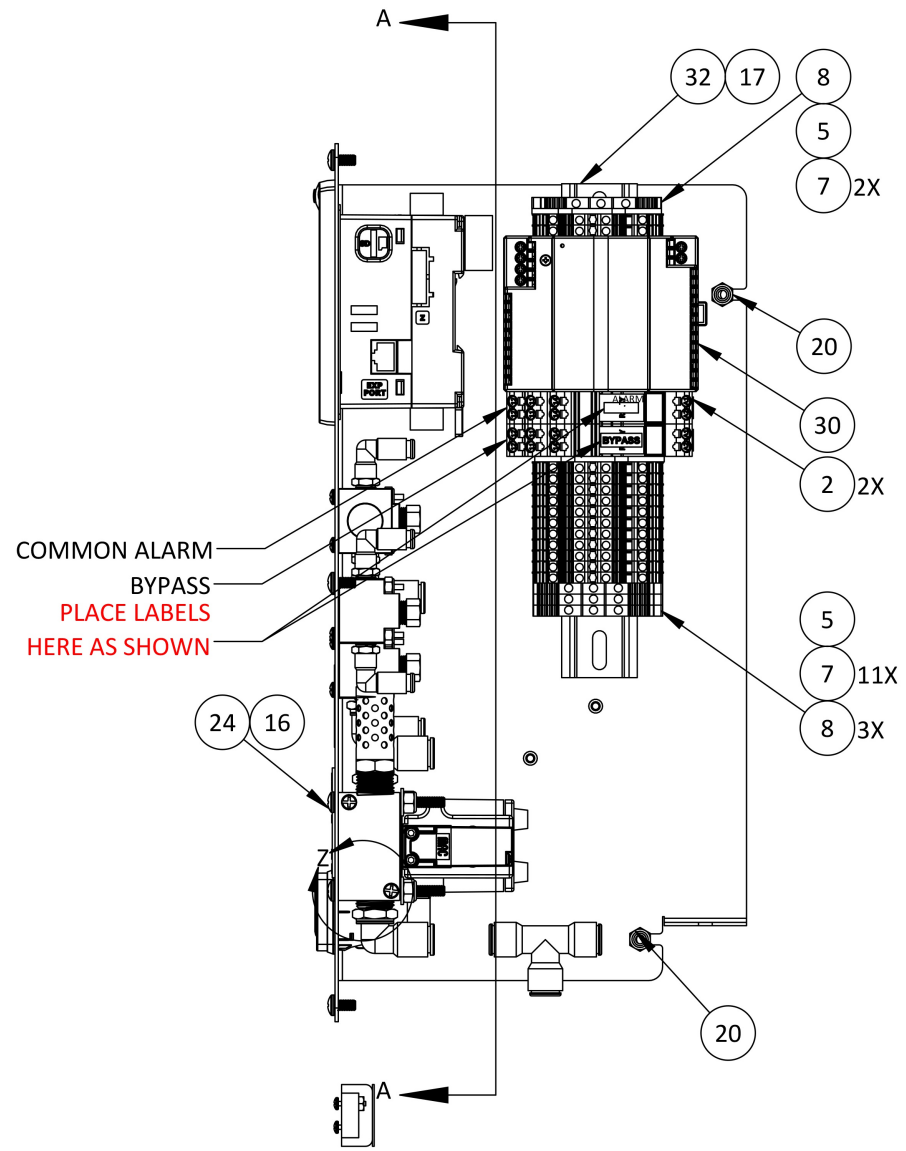
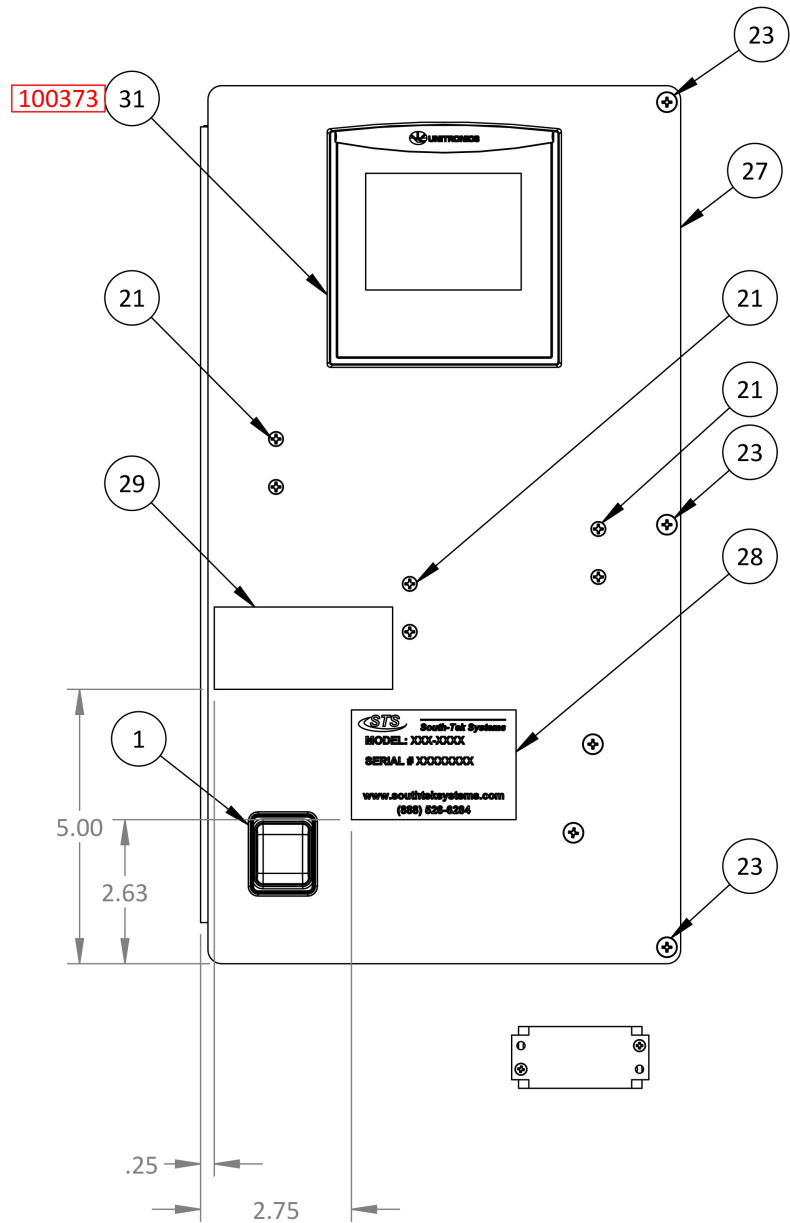
CUSTOMER CONNECTIONS
 FACTORY CONNECTIONS

ES-TYP4P-FPS(H)-P(x), TYP4P, FPS HW ELECTRICAL SCHEMATIC FOR PLUS UNITS WITH DRYER (4) - Rev. 5



GENERAL NOTES:
 [1] SEE MANUAL FOR FURTHER INFORMATION
 [2] IF ALARM IS ACTIVE 11-12 WILL BE OPEN AND 11-14 WILL BE CLOSED

TYP4P-07H-Ax-FPS-A, TYP4P, HWU ELECTRICAL ASSEMBLY WITH 0.375 CCV, EC, FPS (1) - Rev. 5



ITEM #	NUMBER	DESCRIPTION	QTY.
1	100145	CIRCUIT BREAKER, 15A, DPDT, W COLLAR	1
2	100337	WAGO RELAY, 24 VDC	2
3	100373	SD CARD	1
4	100379	4 POST MINI TERMINAL BLOCK	1
5	100381	DIN MOUNT TERMINAL BLOCK END COVER	2
6	100388	MINI TERMINAL BLOCK COVER	1
7	100392	TERMINAL BLOCK, 4 POS 26-12AWG	13
8	100397	GROUND BLOCK, DIN RAIL MOUNT	4
9	100446	FERRITE CORE, UNITRONICS POWER WIRES	1
10	101528	0.375 NPT COMPACT HIGH FLOW MUFFLER, STEEL	1
11	101905	0.125 NPT HEX PLUG, BRASS	3
12	102051	0.375 NPT X 0.375 OD PTC ELBOW	3
13	102075	0.125 NPT X 0.250 OD PTC SWIVEL ELBOW	4
14	102080	0.375 OD PTC TEE, LEGRIS	2
15	102115	0.125 NPT X 0.375 OD PTC SWIVEL ELBOW	2
16	102608	#10 SAE FLAT WASHER, ZINC	2
17	102682	8-32 LOCK NUT	2
18	102685	6-32 NYLOCK NUT	6
19	102691	4-40 HEX NUT	2
20	102692	10-32 NYLOCK NUT	4
21	102791	6-32 X 0.125 PPHMS	6
22	102792	4-40 X 0.500 PPHMS	2
23	102804	10-32 X 0.375 PPHMS, ZINC	3
24	102811	10-32 X 0.200 PPHMS	2
25	103257	0.125" NPT 3-WAY SOLENOID VALVE, 24 VDC	3
26	103265	0.375" NPT CENTER CLOSED SOLENOID VALVE, 24 VDC	1
27	104080	TYP1P,4P FPS AND CP PLUS ELECTRICAL PANEL, RD	1
28	105527	SERIAL NUMBER LABEL	1
29	105943	UL OPEN INDUSTRIAL CONTROL PANEL LABEL	1
30	111249	PWR SUPPLY, 100-240, 24V, 100W	1
31	100224	PROGRAMMABLE LOGIC CONTROLER	1
32	999799	DIN RAIL, PER INCH	18

