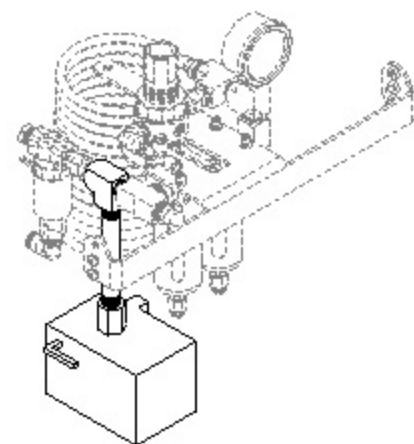
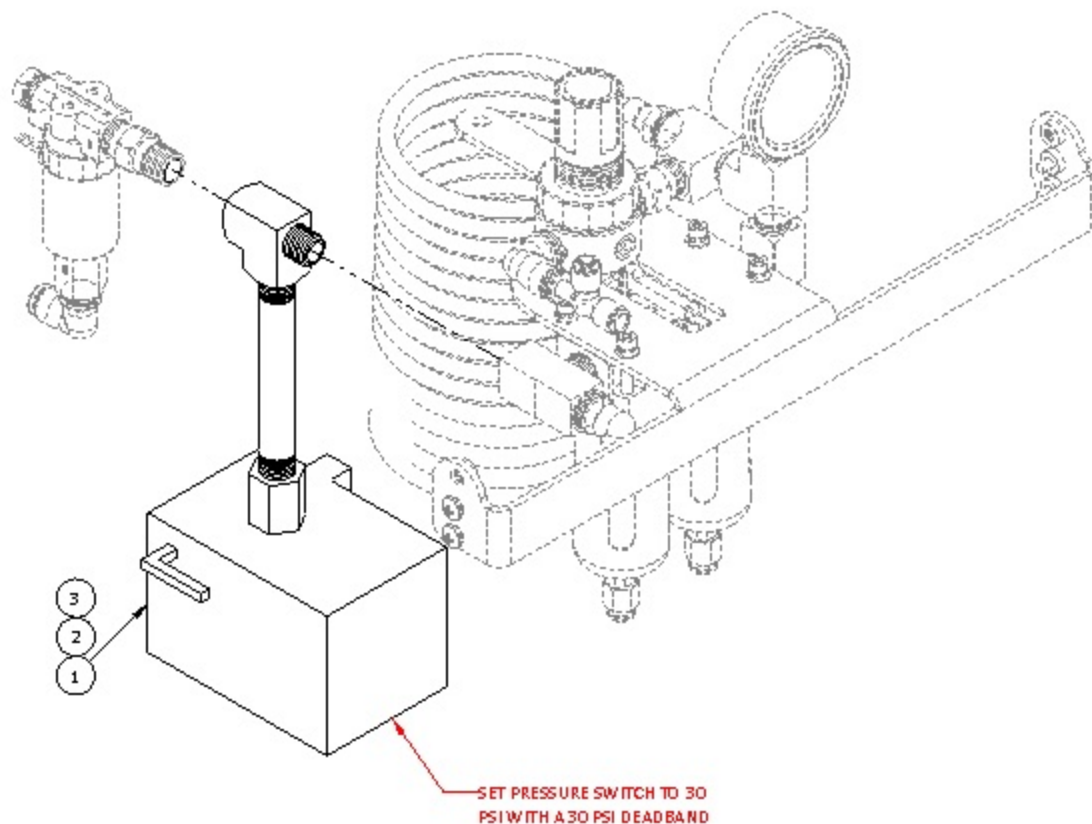


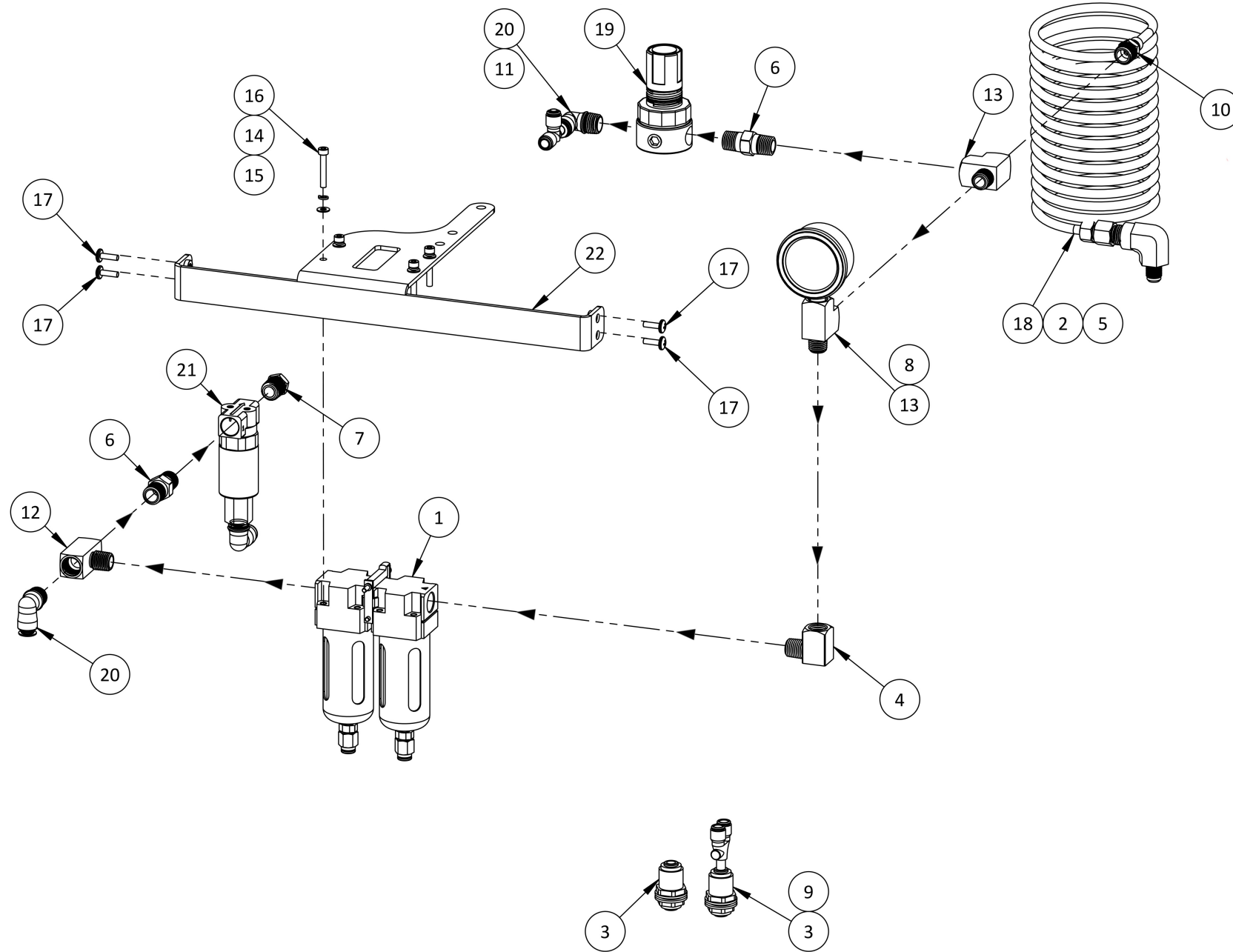
B20-A-003, TYP1P, EQPT ALARM INSTM

| ITEM # | NUMBER | DESCRIPTION | QTY. |
|--------|--------|--|------|
| 1 | 10CB26 | 0.250" NPT PRESSURE SWITCH, 5-150 PSI, DELTA 30-40 PSI | 1 |
| 2 | 101811 | 0.250 NPT X 04.000 L NIPPLE, BRASS | 1 |
| 3 | 102813 | 0.250 NPT STREET TEE, BRASS | 1 |

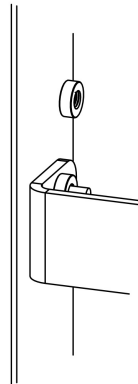


SCALE 1 : 4

TYP1P-01, TYP1P FILTER ASSEMBLY - Rev. 4

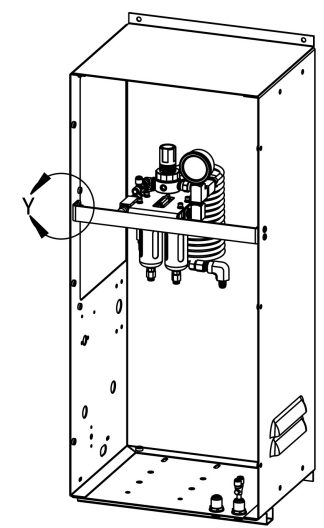


DETAIL Z
SCALE 1 : 2

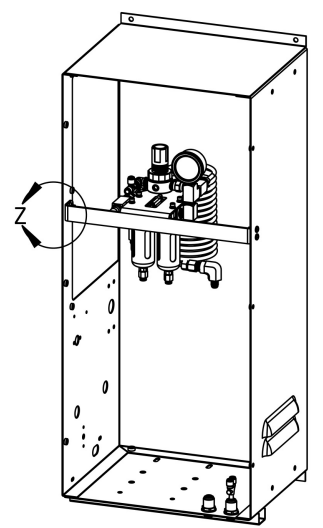


DETAIL Y
SCALE 1 : 2

| ITEM # | NUMBER | DESCRIPTION | QTY. |
|--------|--------|---|------|
| 1 | 100704 | S-100/200 FILTER COMBO | 1 |
| 2 | 101102 | 0.250 NPT M X 0.250 COMPRESSION STRAIGHT | 1 |
| 3 | 101193 | 0.250 OD PTC THROUGH-WALL COUPLING | 2 |
| 4 | 101271 | 0.250 NPT STREET ELBOW, BRASS | 1 |
| 5 | 101273 | 0.250 JIC M X 0.250 NPT F ELBOW | 1 |
| 6 | 101687 | 0.250 NPT HEX NIPPLE, BRASS | 2 |
| 7 | 101903 | 0.250 HEX PLUG, BRASS | 1 |
| 8 | 101945 | 0.250 NPT X O2.000 0-160 PSIG, BM | 1 |
| 9 | 102054 | 0.250 OD STEM WYE | 1 |
| 10 | 102066 | 0.250 NPT X 0.250 OD PTC STRAIGHT | 1 |
| 11 | 102079 | 0.250 STEM TEE | 1 |
| 12 | 102283 | 0.250 NPT F X 0.250 NPT M X 0.250 NPT F BRANCH TEE, BRASS | 1 |
| 13 | 102313 | 0.250 NPT STREET TEE, BRASS | 2 |
| 14 | 102603 | M4 LOCK WASHER | 4 |
| 15 | 102686 | M4 FLAT WASHER | 4 |
| 16 | 102793 | M4 X 25MM SOCKET HEAD CAP SCREW | 4 |
| 17 | 102799 | 10-32 X 0.500" PPHMS, ZINC | 4 |
| 18 | 103063 | 0.250 OD TUBING COILED, PER INCH | 158 |
| 19 | 103107 | 0.250 NPT PRESSURE RELIEF VALVE | 1 |
| 20 | 105917 | 0.250 NPT X 0.250 OD PTC SWIVEL ELBOW | 3 |
| 21 | 106513 | 0.250" 3PV, 24VDC | 1 |
| 22 | 106619 | COMPACT PSA, FILTER SUPPORT BRACKET | 1 |



FPS-900 AND 7KPH
SCALE 1 : 12



FPS-500 AND 1KPH
SCALE 1 : 12