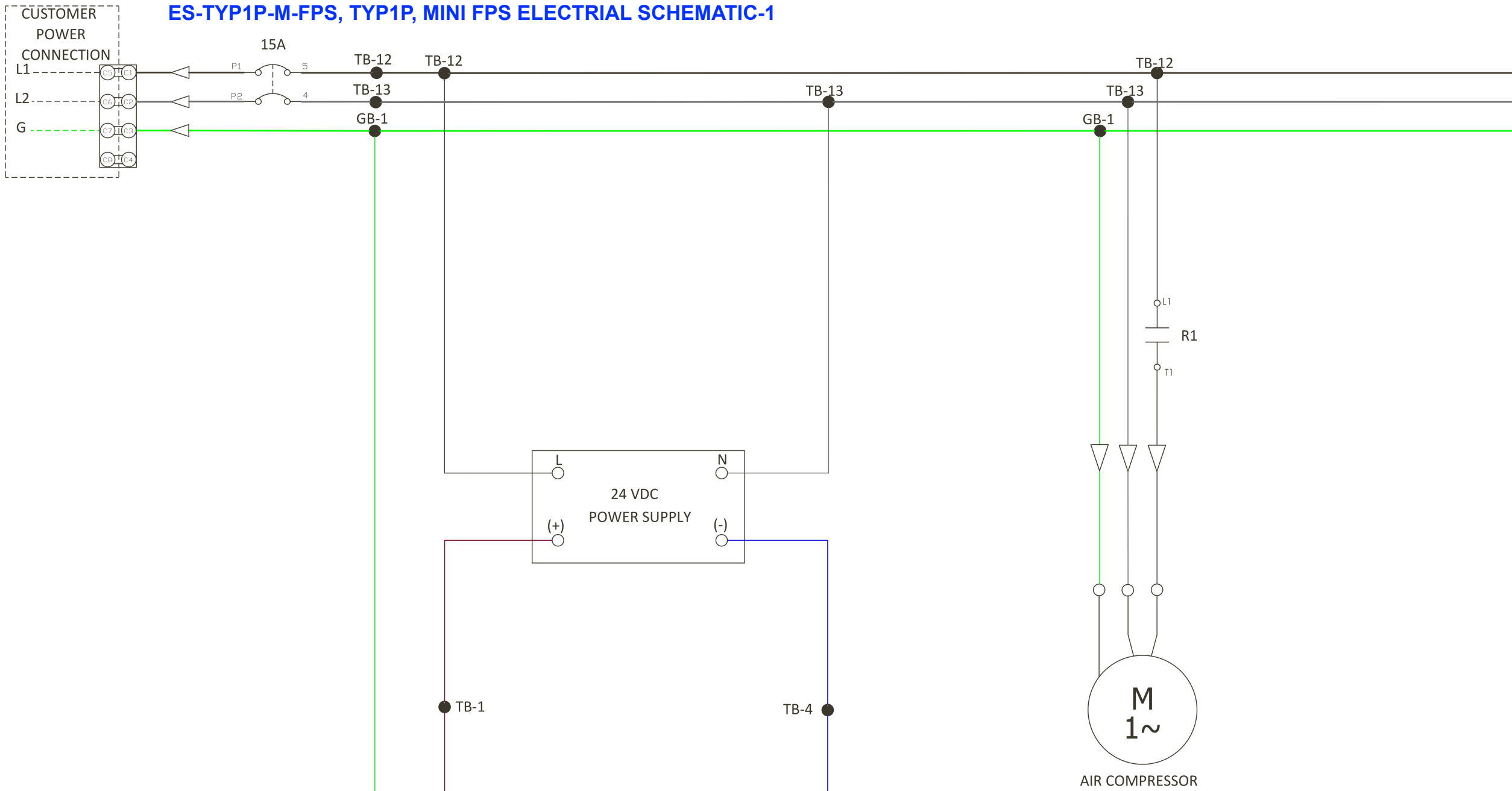


ES-TYP1P-M-FPS, TYP1P, MINI FPS ELECTRICAL SCHEMATIC-1

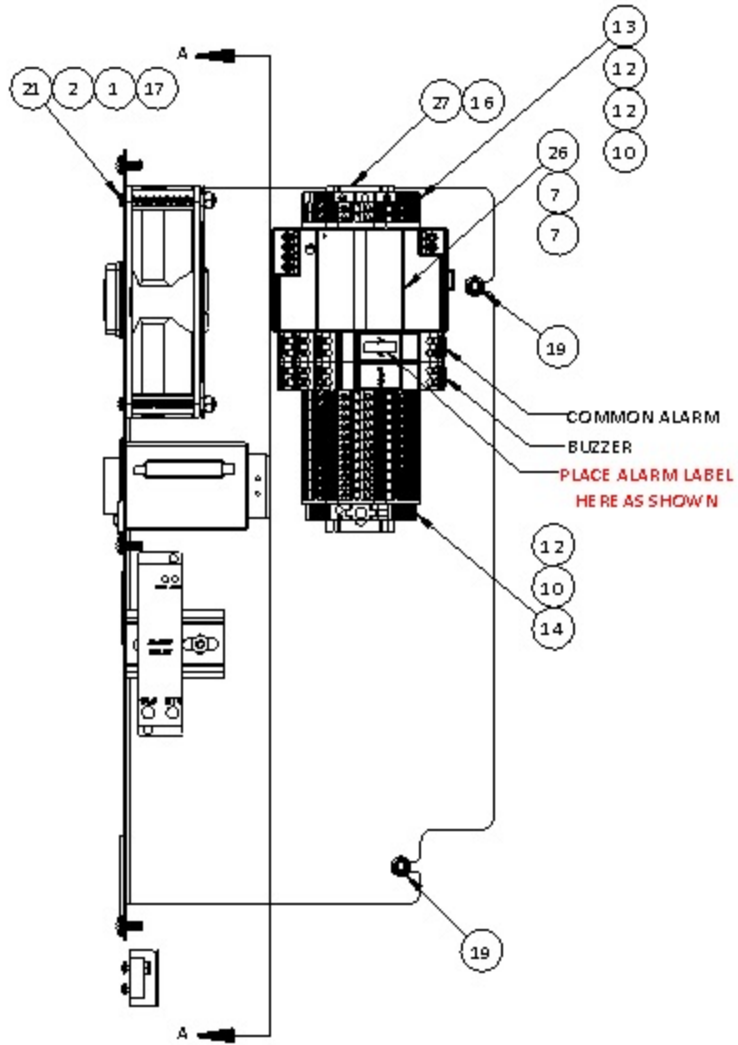
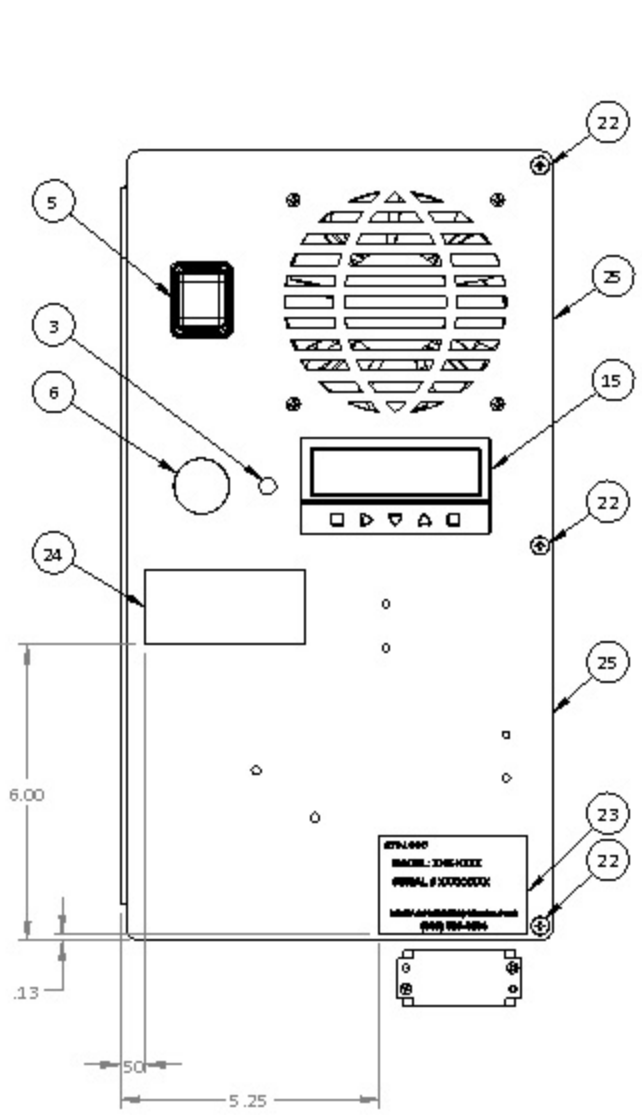


TERMINAL BLOCKS AND JUMPERS	
TERMINAL	VALUE
1-3 (JUMPED)	24V
4-9 (JUMPED)	0V
10	N00
11	NO4
12	L1
13	L2

TORQUE SPECIFICATIONS	
ITEM	MIN-MAX
GROUND BLOCK	0.4 Nm - 0.6 Nm
POWER SUPPLY	0.67 Nm MAX
PLC	0.2 Nm - 0.5 Nm

WIRING TABLE			
AWG	COLOR	SERVICE	FIELD/INTERNAL
14	CUST. DETERMINED	110-220 VAC / 60Hz / 1PHASE	FIELD
14	BLACK	+110-220 VAC	INTERNAL
14	WHITE	- 110-220 VAC	INTERNAL
16-18	BROWN	24 + VDC	INTERNAL
16-18	BLUE	0V	INTERNAL
16-22	YELLOW	SIGNAL	INTERNAL

TYP1P-07H-FPS-M, TYP1P, HW ELECTRICAL ASSEMBLY FOR FPS-500



ITEM #	NUMBER	DESCRIPTION	QTY.
1	100039	STEEL FAN GUARD FOR 4.69" FAN	1
2	100041	COOLING FAN, 105 CFM, 24VDC	1
3	100056	NEON INDICATOR LIGHT 0.312" DIA 24V - RED	1
4	100062	INDICATOR LIGHT HOLDING CLIPS	1
5	100145	CIRCUIT BREAKER, 15A, DPDT, W COLLAR	1
6	100216	24V BUZZER	1
7	100337	WAGO RELAY, 24 VDC	2
8	100366	20A HEAT SINK RELAY, 24VDC	1
9	100379	4 POST MINI TERMINAL BLOCK	1
10	100381	DIN MOUNT TERMINAL BLOCK END COVER	2
11	100388	MINI TERMINAL BLOCK COVER	1
12	100392	TERMINAL BLOCK, 4 POS 26-12AWG	13
13	100397	GROUND BLOCK, DIN RAIL MOUNT	1
14	100401	SNAP ON TERMINAL BLOCK END BRACKET, POLYIMIDE	1
15	102383	TWIX-2-24VDC PLC	1
16	102682	8-32 LOCK NUT	4
17	102685	6-32 NYLOCK NUT	4
18	102691	4-40 HEX NUT	2
19	102692	10-32 NYLOCK NUT	2
20	102792	4-40 X 0.500 PPHMS	2
21	102794	6-32 X 0.875" PPHMS	4
22	102804	10-32 X 0.375 PPHMS, ZINC	3
23	105527	SERIAL NUMBER LABEL	1
24	105943	UL OPEN INDUSTRIAL CONTROL PANEL LABEL	1
25	108488	TYP1P, 4P FPS AND CP STANDARD ELECTRICAL PANEL, RD	1
26	111248	PWR SUPPLY, 100-240, 24V, 60W	1
27	999799	DIN RAIL, PER INCH	7
28	999799	DIN RAIL, PER INCH	2