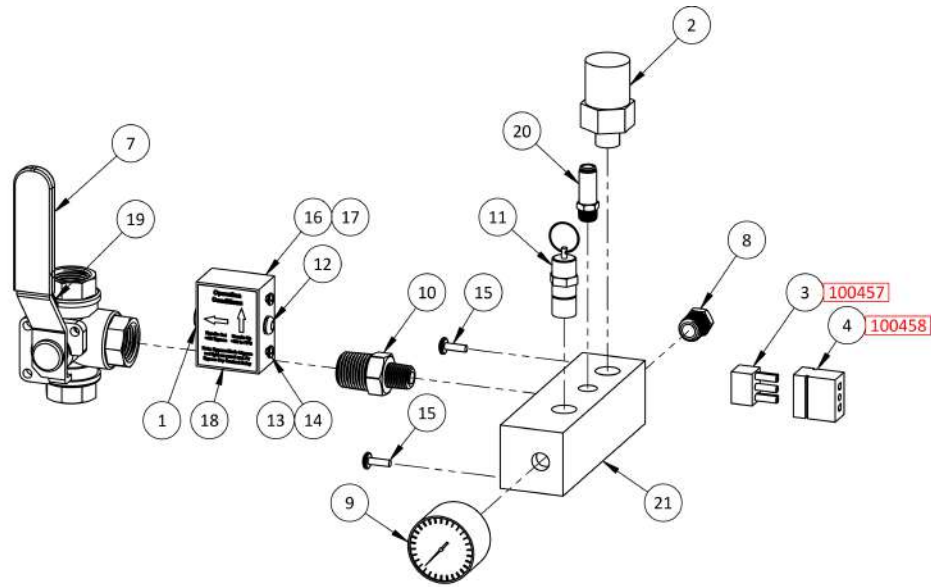
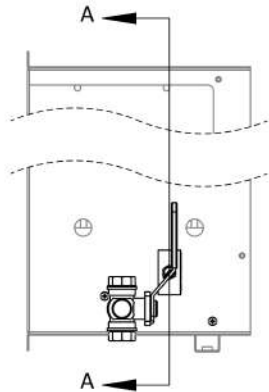


SECTION A-A

ITEM #	NUMBER	DESCRIPTION	QTY.
1	TCMS-03KPH	CMS HIGH PURITY, FP5500 3KPH, 1900G 100004	1
2	105810	3KPH SEIVE BED	2
3	105917	0.250 NPT X 0.250 OD PTC SWIVEL ELBOW	2
4	996647	FOAM PIECE FOR 1-3KPH	4
5	103257	0.125" NPT 3-WAY SOLENOID VALVE, 24 VDC	2
6	102075	0.125 NPT X 0.250 OD PTC SWIVEL ELBOW	2
7	101688	0.125 NPT HEX NIPPLE, BRASS	2
8	101470	0.125 NPT X 0.250 OD PTC ELBOW FLOW CONTROLLER	1
9	102188	0.250" OD INPUT 0.125" NPT OUTPUT SHUTTLER VALVE	1
10	102090	0.250 Stem x 0.250 OD PTC Elbow, Metal	2
11	102054	0.250 OD STEM WYE	1
12	102092	0.250 STEM UNION, METAL	4
13	102093	0.250 OD PTC TEE, METAL	2
14	101464	0.250 OD PTC FLOW CONTROL	1
15	100954	02.000 NPT X 0.250 NPT F BUSHING, BLACK	2
16	102611	0.250 ZINC FINISH SAE FLAT WASHER	4
17	102709	0.250"-20 CAP NUT, G5, ZINC	4

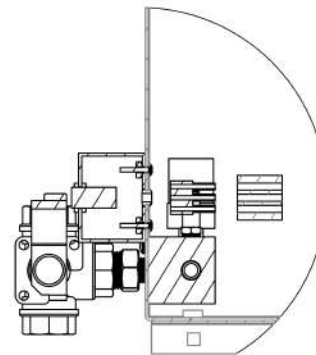
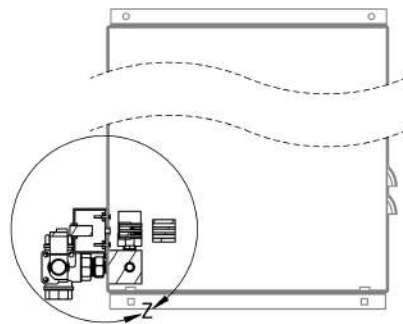


SCALE 1 : 3

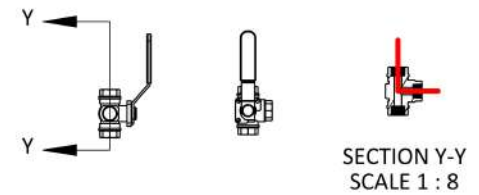


SECTION A-A

A-A



DETAIL Z
SCALE 1 : 3

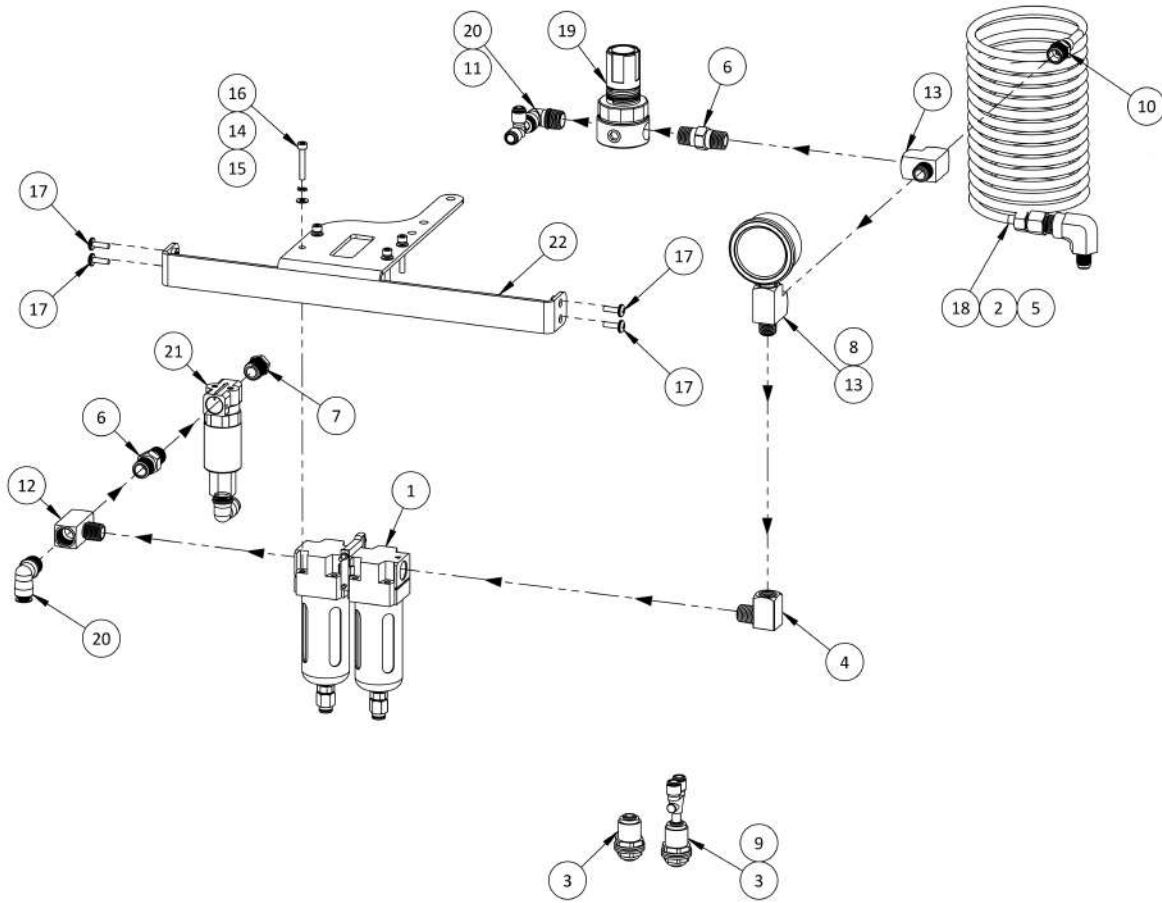


SECTION Y-Y
SCALE 1 : 8

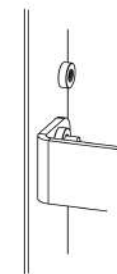


SECTION X-X
SCALE 1 : 8

ITEM #	NUMBER	DESCRIPTION	QTY.
1	100131	MAGNETIC PROXIMITY SENSOR	1
2	100317	70PSI, PRESSURE SWITCH	1
3	100450	3 PIN PLUG	1
4	100452	3 PIN CAP	1
5	100457	MALE UNIVERSAL PIN, 20-14 AWG, PRE-TINNED BRASS	3
6	100458	FEMALE UNIVERSAL SOCKET	3
7	100808	0.500" NPT F, 3-WAY BALL VALVE, BRASS	1
8	101903	0.250 HEX PLUG, BRASS	1
9	101965	0.125 NPT X 0.1500 DIAL REAR MOUNT, PRESS GAUGE, CUSTOM	1
10	102015	0.500 NPT X 0.250 NPT HEX NIPPLE, BRASS	1
11	102143	0.250" SAFETY RELIEF, 115 PSI, UCI, 73 CFM	1
12	102571	0.1876" ID X 0.40625" OD X 0.3125" OD PGROMMET	1
13	102694	6-32 NUT WITH LOCK WASHER	2
14	102797	6-32 X 0.625" PPHMS	2
15	102799	10-32 X 0.500" PPHMS, ZINC	2
16	103166	02.000" X 01.500" X 01.000" ENCLOSURE	1
17	103167	COVER, POTTING BOX; ABS THERMOPLASTIC 0.010", 2.000". 1.000"	1
18	105437	TYP1M MAGNETIC BYPASS LABEL	1
19	106428	0.500 HIGH PULL MAGNET	1
20	106695	0.125 NPT X 0.250 OD PTC, CHECK VALVE	1
21	106728	7 PORT MANIFOLD	1

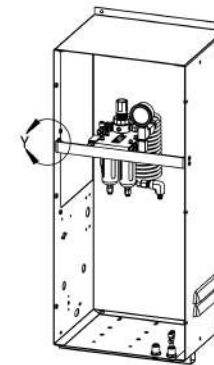


DETAIL Z
SCALE 1 : 2

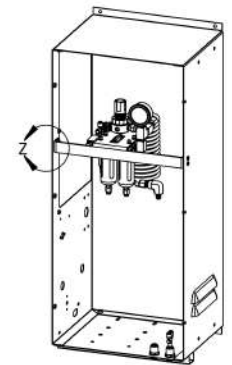


DETAIL Y
SCALE 1 : 2

ITEM #	NUMBER	DESCRIPTION	QTY.
1	100704	S-100/200 FILTER COMBO	1
2	101102	0.250 NPT M X 0.250 COMPRESSION STRAIGHT	1
3	101193	0.250 OD PTC THROUGH-WALL COUPLING	2
4	101271	0.250 NPT STREET ELBOW, BRASS	1
5	101273	0.250 JIC M X 0.250 NPT F ELBOW	1
6	101687	0.250 NPT HEX NIPPLE, BRASS	2
7	101903	0.250 HEX PLUG, BRASS	1
8	101945	0.250 NPT X 02.000 0-160 PSIG, BM	1
9	102054	0.250 OD STEM WYE	1
10	102066	0.250 NPT X 0.250 OD PTC STRAIGHT	1
11	102079	0.250 STEM TEE	1
12	102283	0.250 NPT F X 0.250 NPT M X 0.250 NPT F BRANCH TEE, BRASS	1
13	102313	0.250 NPT STREET TEE, BRASS	2
14	102603	M4 LOCK WASHER	4
15	102686	M4 FLAT WASHER	4
16	102793	M4 X 25MM SOCKET HEAD CAP SCREW	4
17	102799	10-32 X 0.500" PPHMS, ZINC	4
18	103063	0.250 OD TUBING COILED, PER INCH	158
19	103107	0.250 NPT PRESSURE RELIEF VALVE	1
20	105917	0.250 NPT X 0.250 OD PTC SWIVEL ELBOW	3
21	106513	0.250" 3PV, 24VDC	1
22	106619	COMPACT PSA, FILTER SUPPORT BRACKET	1

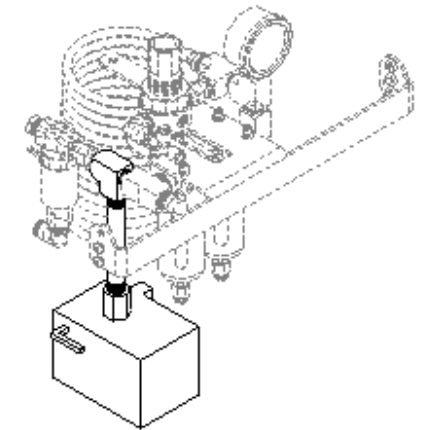
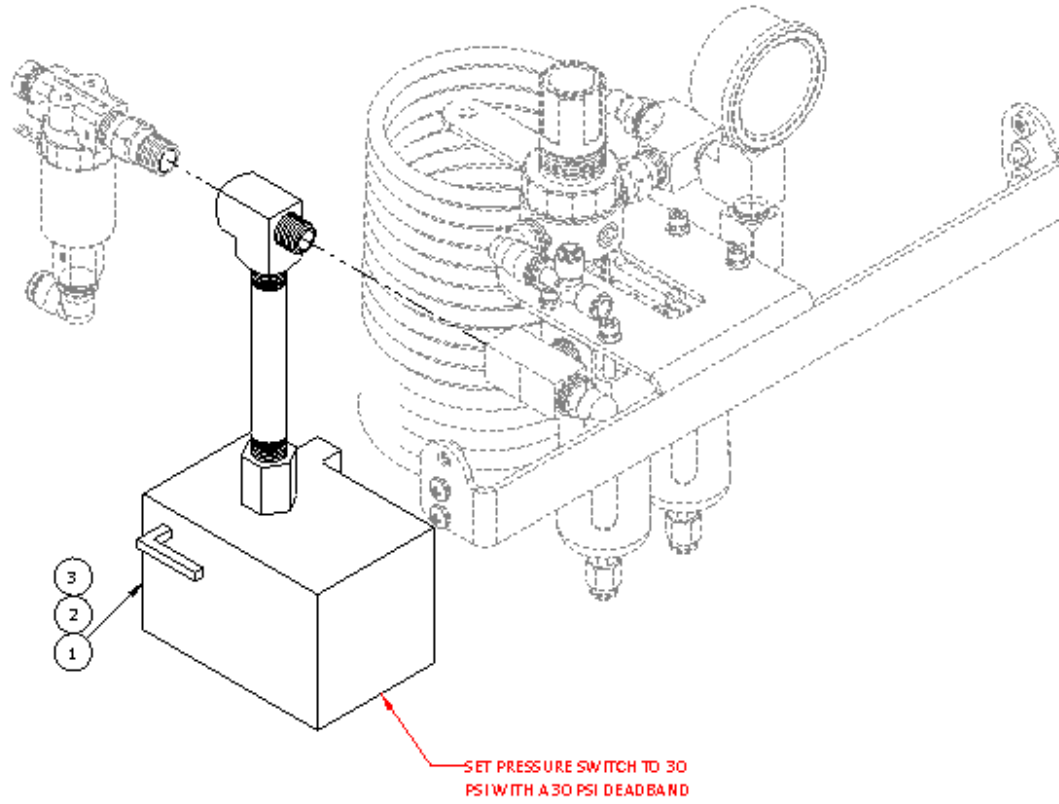


FPS-900 AND 7KPH
SCALE 1 : 12

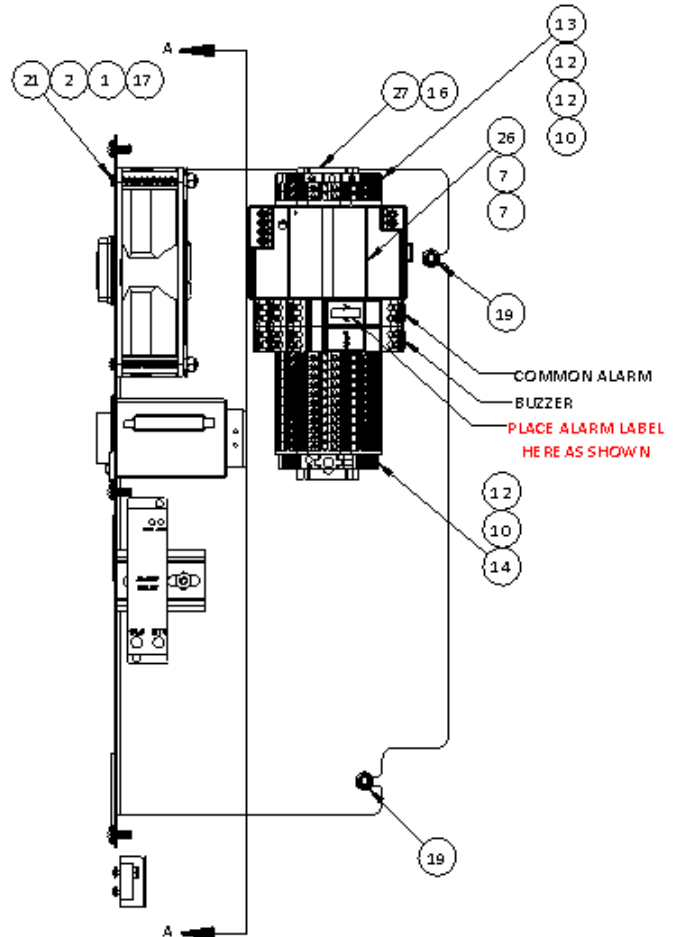
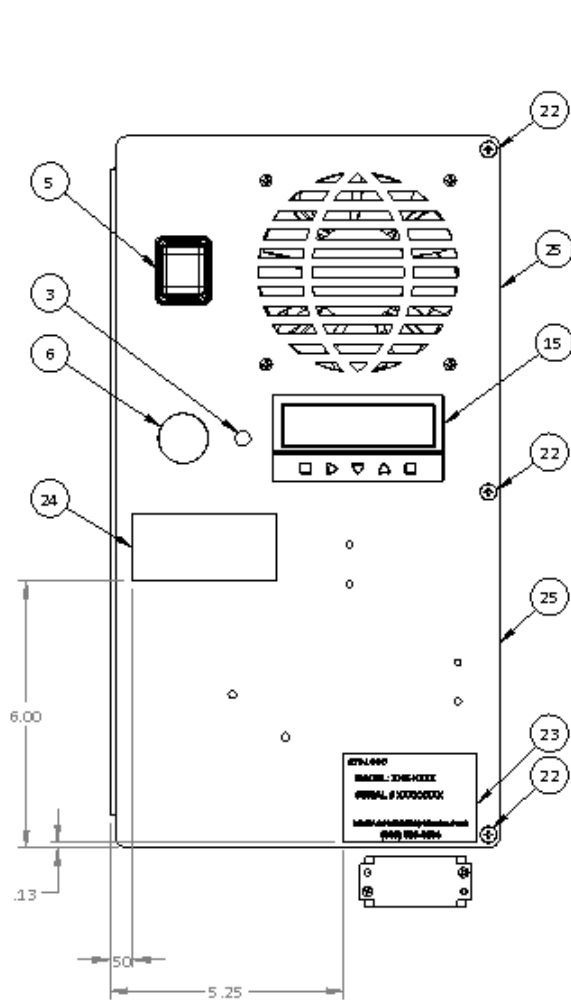


FPS-500 AND 1KPH
SCALE 1 : 12

ITEM #	NUMBER	DESCRIPTION	QTY.
1	10CB26	0.250" NPT PRESSURE SWITCH, 5-150 PSI, DELTA 30-40 PSI	1
2	101811	0.250 NPT X 04.000 L NIPPLE, BRASS	1
3	10Z13	0.250 NPT STREET TEE, BRASS	1

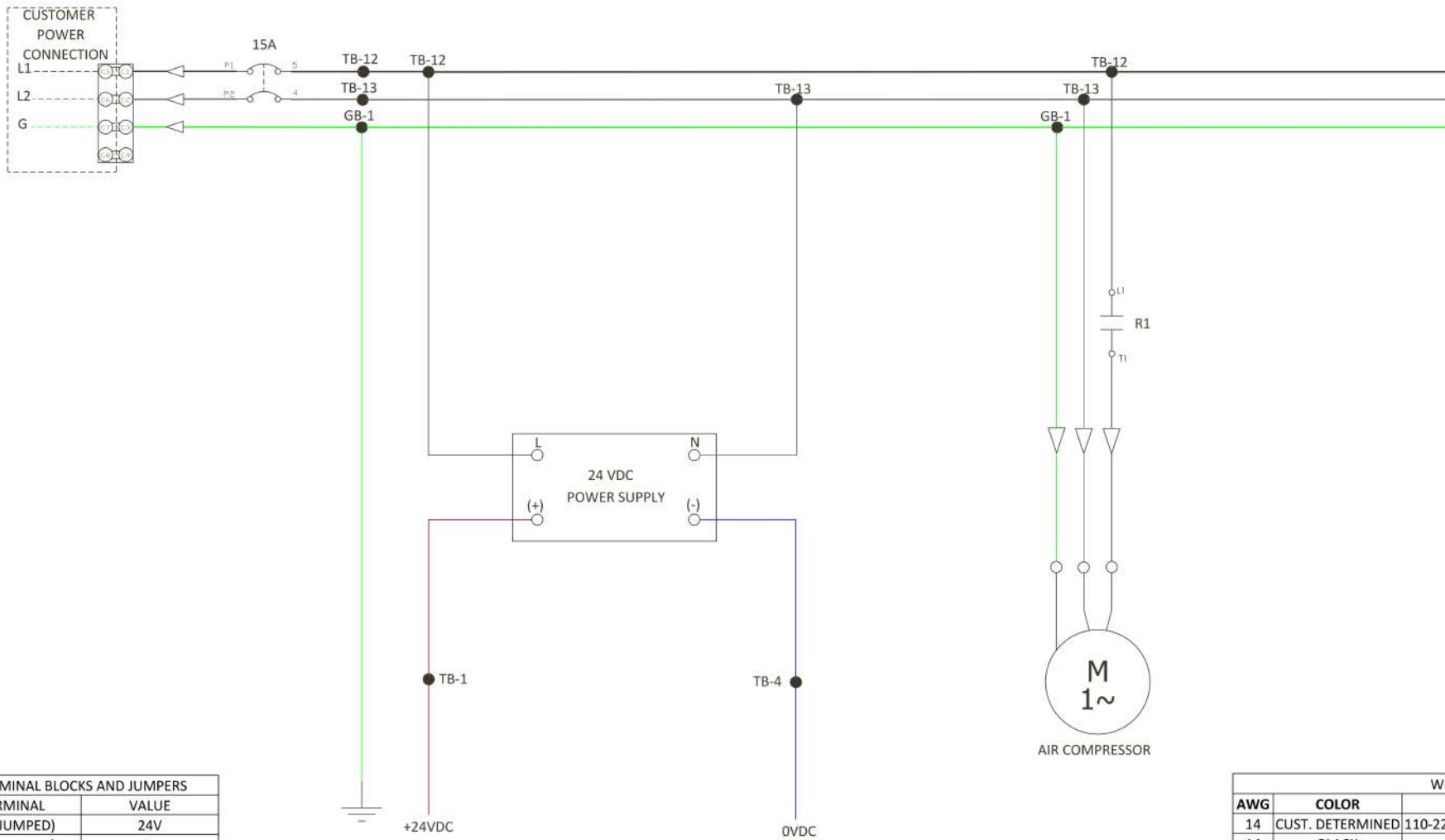


SCALE 1 : 4



ITEM #	NUMBER	DESCRIPTION	QTY.
1	100039	STEEL FAN GUARD FOR 4.69" FAN	1
2	100041	COOLING FAN, 105 CFM, 24VDC	1
3	100056	NEON INDICATOR LIGHT 0.312" DIA 24V - RED	1
4	100062	INDICATOR LIGHT HOLDING CLIPS	1
5	100145	CIRCUIT BREAKER, 15A, DPDT, W COLLAR	1
6	100216	24V BUZZER	1
7	100337	WAGO RELAY, 24 VDC	2
8	100366	20A HEAT SINK RELAY, 24VDC	1
9	100379	4 POST MINI TERMINAL BLOCK	1
10	100381	DIN MOUNT TERMINAL BLOCK END COVER	2
11	100388	MINI TERMINAL BLOCK COVER	1
12	100392	TERMINAL BLOCK, 4 POS 26-12AWG	13
13	100397	GROUND BLOCK, DIN RAIL MOUNT	1
14	100401	SNAP ON TERMINAL BLOCK END BRACKET, POLYIMIDE	1
15	102383	TWIX-2-24VDC PLC	1
16	102682	8-32 LOCK NUT	4
17	102685	6-32 NYLOCK NUT	4
18	102691	4-40 HEX NUT	2
19	102692	10-32 NYLOCK NUT	2
20	102792	4-40 X 0.500 PPHMS	2
21	102794	6-32 X 0.875" PPHMS	4
22	102804	10-32 X 0.375 PPHMS, ZINC	3
23	105527	SERIAL NUMBER LABEL	1
24	105943	UL OPEN INDUSTRIAL CONTROL PANEL LABEL	1
25	108488	TYP1P, 4P FPS AND CP STANDARD ELECTRICAL PANEL, RD	1
26	111248	PWR SUPPLY, 100-240, 24V, 60W	1
27	999799	DIN RAIL, PER INCH	7
28	999799	DIN RAIL, PER INCH	2

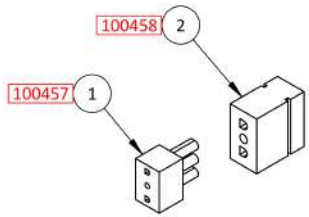
CONTINUED ON SHEET 2



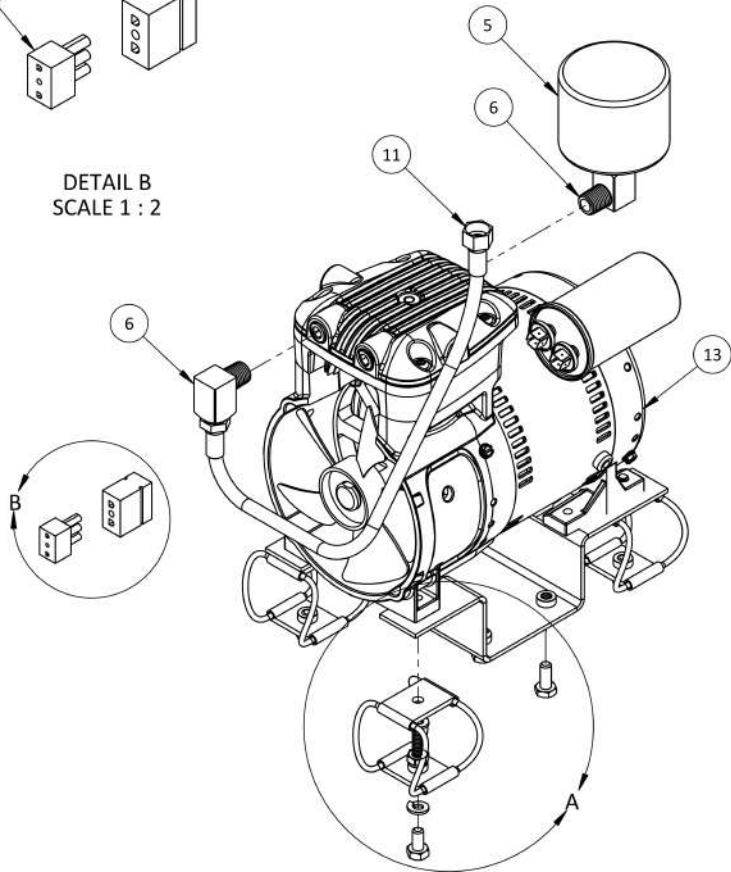
TERMINAL BLOCKS AND JUMPERS	
TERMINAL	VALUE
1-3 (JUMPED)	24V
4-9 (JUMPED)	0V
10	N00
11	NO4
12	L1
13	L2

TORQUE SPECIFICATIONS	
ITEM	MIN-MAX
GROUND BLOCK	0.4 Nm - 0.6 Nm
POWER SUPPLY	0.67 Nm MAX
PLC	0.2 Nm - 0.5 Nm

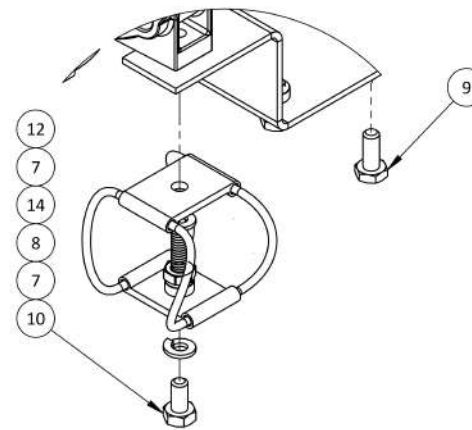
WIRING TABLE			
AWG	COLOR	SERVICE	FIELD/INTERNAL
14	CUST. DETERMINED	110-220 VAC / 60Hz / 1PHASE	FIELD
14	BLACK	+110-220 VAC	INTERNAL
14	WHITE	- 110-220 VAC	INTERNAL
16-18	BROWN	24 + VDC	INTERNAL
16-18	BLUE	0V	INTERNAL
16-22	YELLOW	SIGNAL	INTERNAL



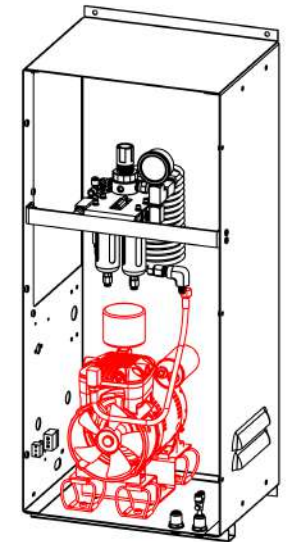
DETAIL B
SCALE 1 : 2



ITEM #	NUMBER	DESCRIPTION	TYP1P-09-200-220V R02	TYP1P-09-200 R02
1	100450	3 PIN PLUG	1	1
2	100452	3 PIN CAP	1	1
3	100457	MALE UNIVERSAL PIN, 20-14 AWG, PRE-TINNED BRASS	3	3
4	100458	FEMALE UNIVERSAL SOCKET	3	3
5	100706	0.250" NPT PRE-COMPRESSOR FILTER, 2 MICRON	1	1
6	101271	0.250 NPT STREET ELBOW, BRASS	2	2
7	102616	0.250 SPLIT LOCK WASHER	8	8
8	102643	WIRE ROPE ISOLATER	4	4
9	102847	0.250"-20 X 0.625" HEX BOLT	4	4
10	102858	0.250-20 X 0.500 HHCS	4	4
11	103014	0.250 NPT X 0.250 JICF, 14.000 HOSE ASSEMBLY	1	1
12	106653	BEERBLAST 200 SHIP AND LOCK	1	1
13	111486	S200 COMPRESSOR, 220V	1	-
13	103409	S-200 COMPRESSOR, 120V	-	1
14	999129	1/4-20 X 3/4" HEX CAP SCREW	4	4



DETAIL A
SCALE 1 : 2



SCALE 1 : 8

ITEM #	Number	DESCRIPTION	TYP1P-06-RD/QTY.	TYP1P-06-WH/QTY.
1	102608	#10 SAE FLAT WASHER, ZINC	6	6
2	102804	10-32 X 0.375 PPHMS, ZINC	6	6
3	106610	COMPACT PSA CABINET, RED	1	-
3	106611	COMPACT PSA CABINET, WHITE	-	1

