

Nitrogen
60/40 Blend
25/75 Blend
Nitrogen Storage Tank
Nitrogen Backup System (By Others)
CO2 Storage Tank "Bulk or Cylinders" (By Others)

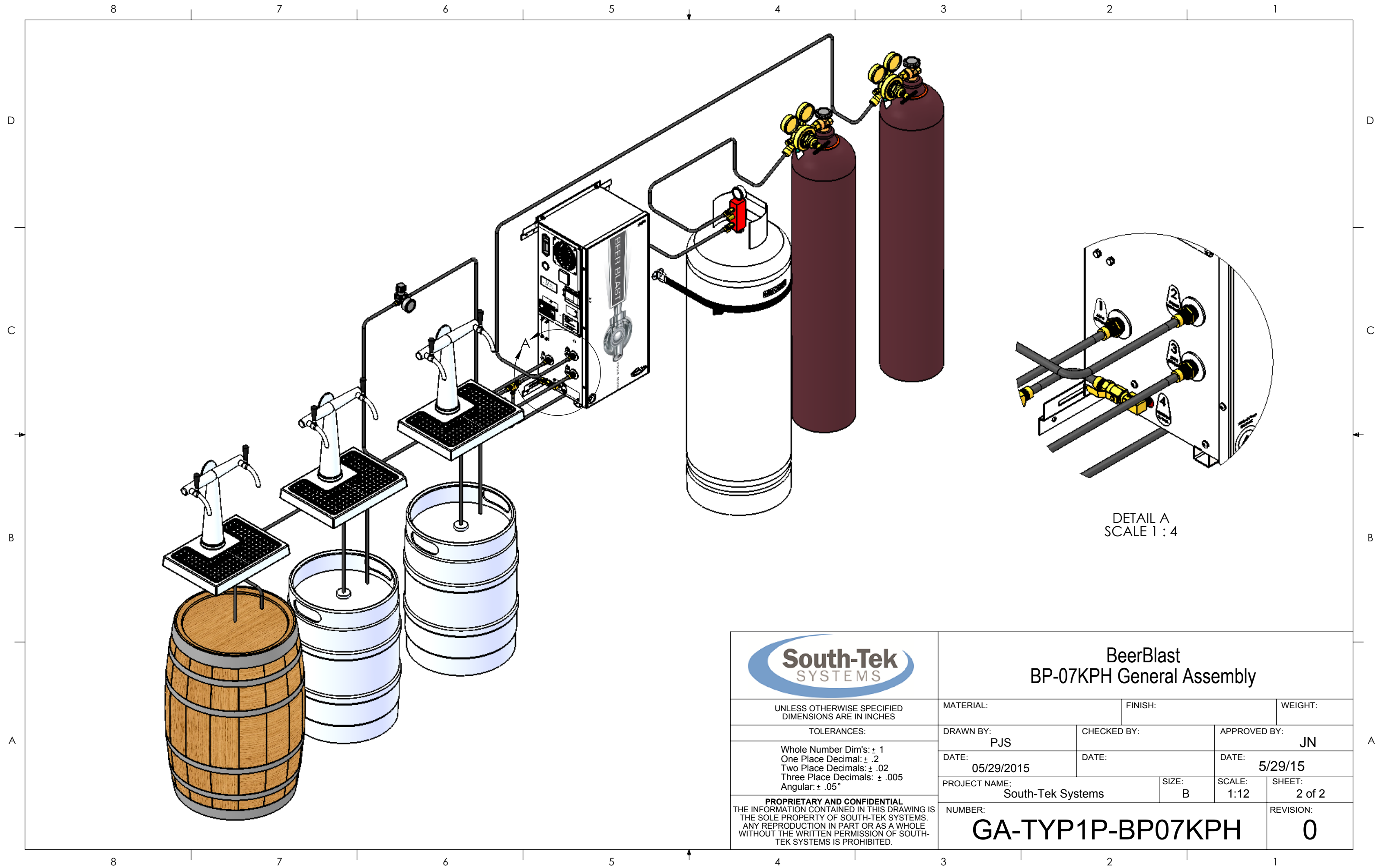
ITEM#	STS PART#	DESCRIPTION
1	BB-07KPH	BeerBlast 7KPH Assembly
2	A05-TYP1	100,200 and MPSA Mounting Bracket Set
3	800-111-L	100# Tank with Label and Packaging
4	A01-0100-S	Tank Manifold
5	A01-0100-A	Tank Strap Assembly

Notes:  
 (1) All connections are 1/4" NPT unless otherwise specified.  
 (2) See Drawing DD-TYP1P-BB-07KPH for the Nitrogen Generators Design Data.  
 (3) Refer to Drawing A01-BB-01 for 800-111-L, A01-0100-S, and A01-0100-A for Tank Assembly Design Data.

### BeerBlast BP-07KPH General Assembly

UNLESS OTHERWISE SPECIFIED DIMENSIONS ARE IN INCHES		MATERIAL:	FINISH:	WEIGHT:
TOLERANCES:		DRAWN BY: <b>PJS</b>	CHECKED BY:	APPROVED BY: <b>JN</b>
Whole Number Dim's: ± 1 One Place Decimal: ± .2 Two Place Decimals: ± .02 Three Place Decimals: ± .005 Angular: ± .05°		DATE: <b>05/29/2015</b>	DATE:	DATE: <b>5/29/15</b>
PROJECT NAME: <b>South-Tek Systems</b>			SIZE: <b>B</b>	SCALE: <b>1:11</b>
NUMBER: <b>GA-TYP1P-BP07KPH</b>				SHEET: <b>1 of 2</b>
REVISION: <b>0</b>				

**PROPRIETARY AND CONFIDENTIAL**  
 THE INFORMATION CONTAINED IN THIS DRAWING IS THE SOLE PROPERTY OF SOUTH-TEK SYSTEMS. ANY REPRODUCTION IN PART OR AS A WHOLE WITHOUT THE WRITTEN PERMISSION OF SOUTH-TEK SYSTEMS IS PROHIBITED.

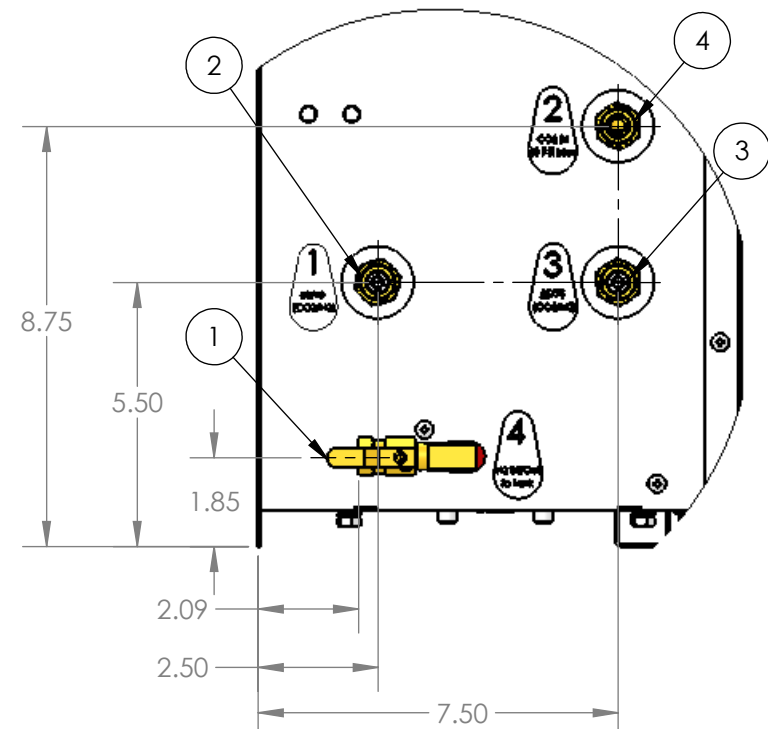
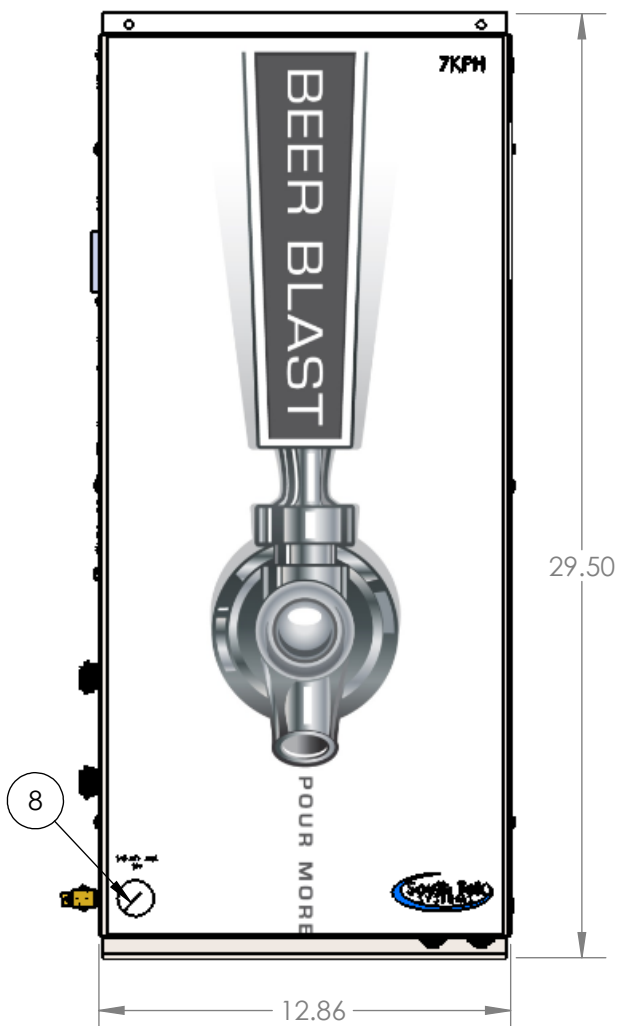
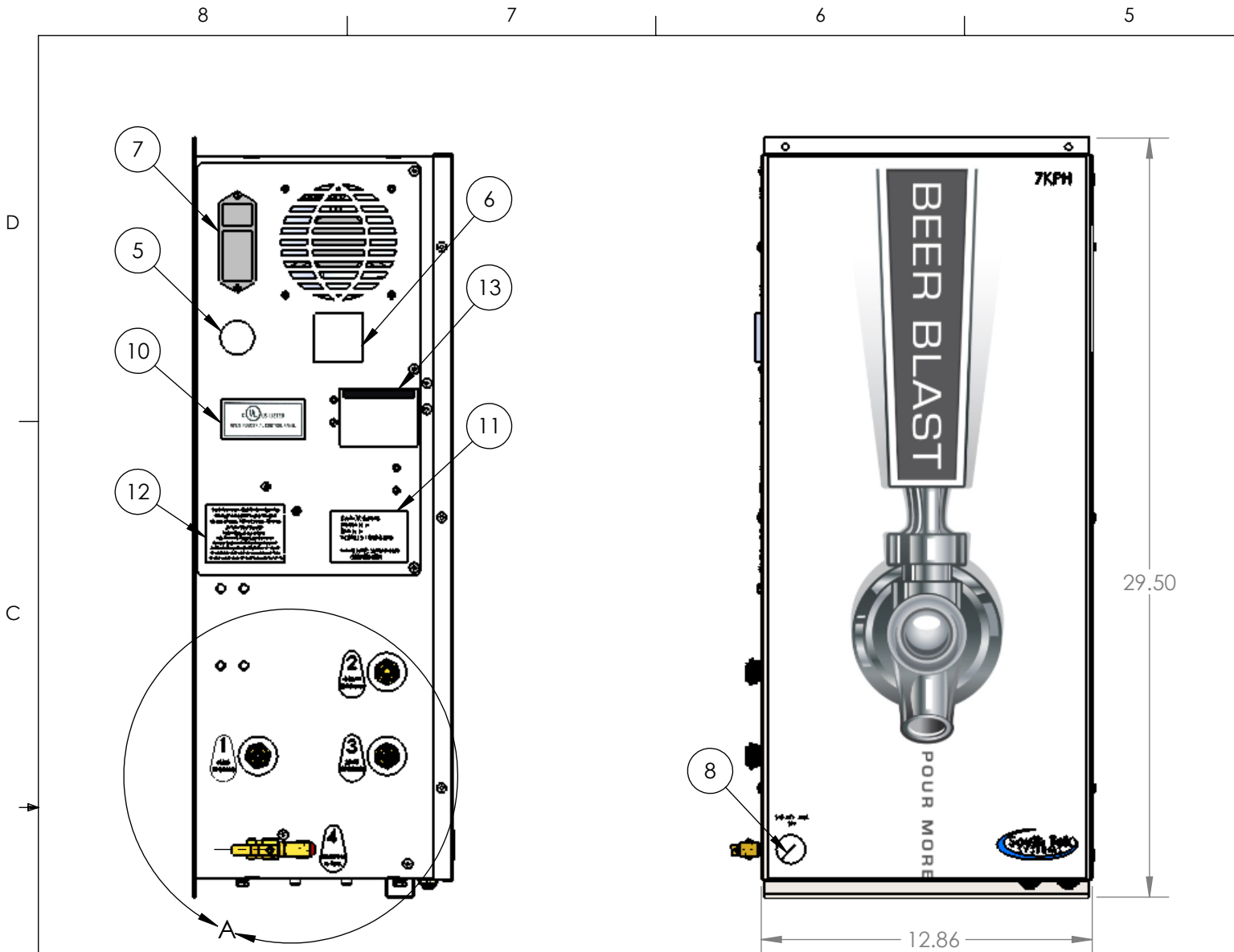


DETAIL A  
SCALE 1 : 4

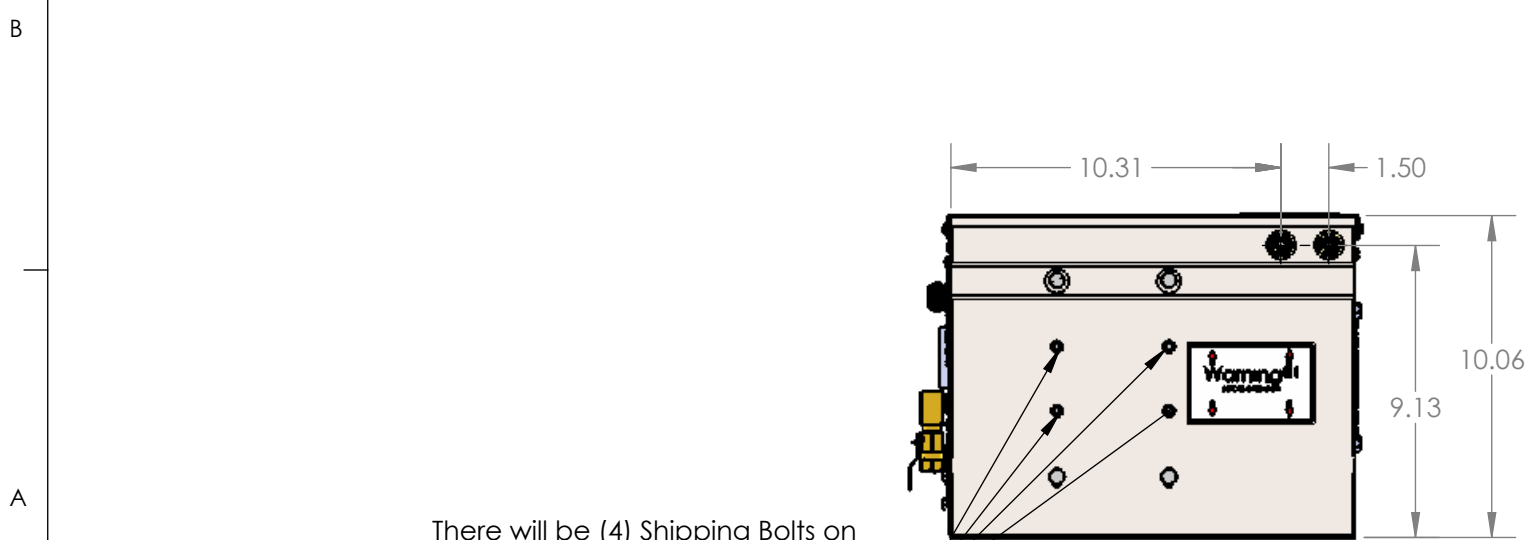


**BeerBlast  
BP-07KPH General Assembly**

UNLESS OTHERWISE SPECIFIED DIMENSIONS ARE IN INCHES	MATERIAL:	FINISH:	WEIGHT:
	TOLERANCES:		
Whole Number Dim's: ± 1 One Place Decimal: ± .2 Two Place Decimals: ± .02 Three Place Decimals: ± .005 Angular: ± .05°	DRAWN BY: PJS	CHECKED BY:	APPROVED BY: JN
	DATE: 05/29/2015	DATE:	DATE: 5/29/15
<b>PROPRIETARY AND CONFIDENTIAL</b> THE INFORMATION CONTAINED IN THIS DRAWING IS THE SOLE PROPERTY OF SOUTH-TEK SYSTEMS. ANY REPRODUCTION IN PART OR AS A WHOLE WITHOUT THE WRITTEN PERMISSION OF SOUTH- TEK SYSTEMS IS PROHIBITED.	PROJECT NAME: South-Tek Systems	SIZE: B	SCALE: 1:12
	NUMBER: <b>GA-TYP1P-BP07KPH</b>	SHEET: 2 of 2	REVISION: <b>0</b>



External Components		
Item #	Description	Service
1	1/4" FPT Ball Valve	Nitrogen Out
2	1/4" FPT Bulkhead	60/40 (CO2/N2) Blend Out
3	1/4" FPT Bulkhead	25/75 (CO2/N2) Blend Out
4	1/4" FPT Bulkhead	CO2 In
5	Audible Electric Buzzer	Optional BlastOff Alarm Component
6	PLC	System Controller
7	Power Entry Module	System Power Supply
8	0-160 PSIG Gauge	Nitrogen Storage Tank Pressure
9	1/4" OD PTC Bulkhead	Drain Line Connections
10	UL 508A Open Industrial Control Panel Label	
11	Unit Serial Number Label	
12	Electrical Panel Specifications Label	
13	Buzzer or Display Screen Warning Indicator	

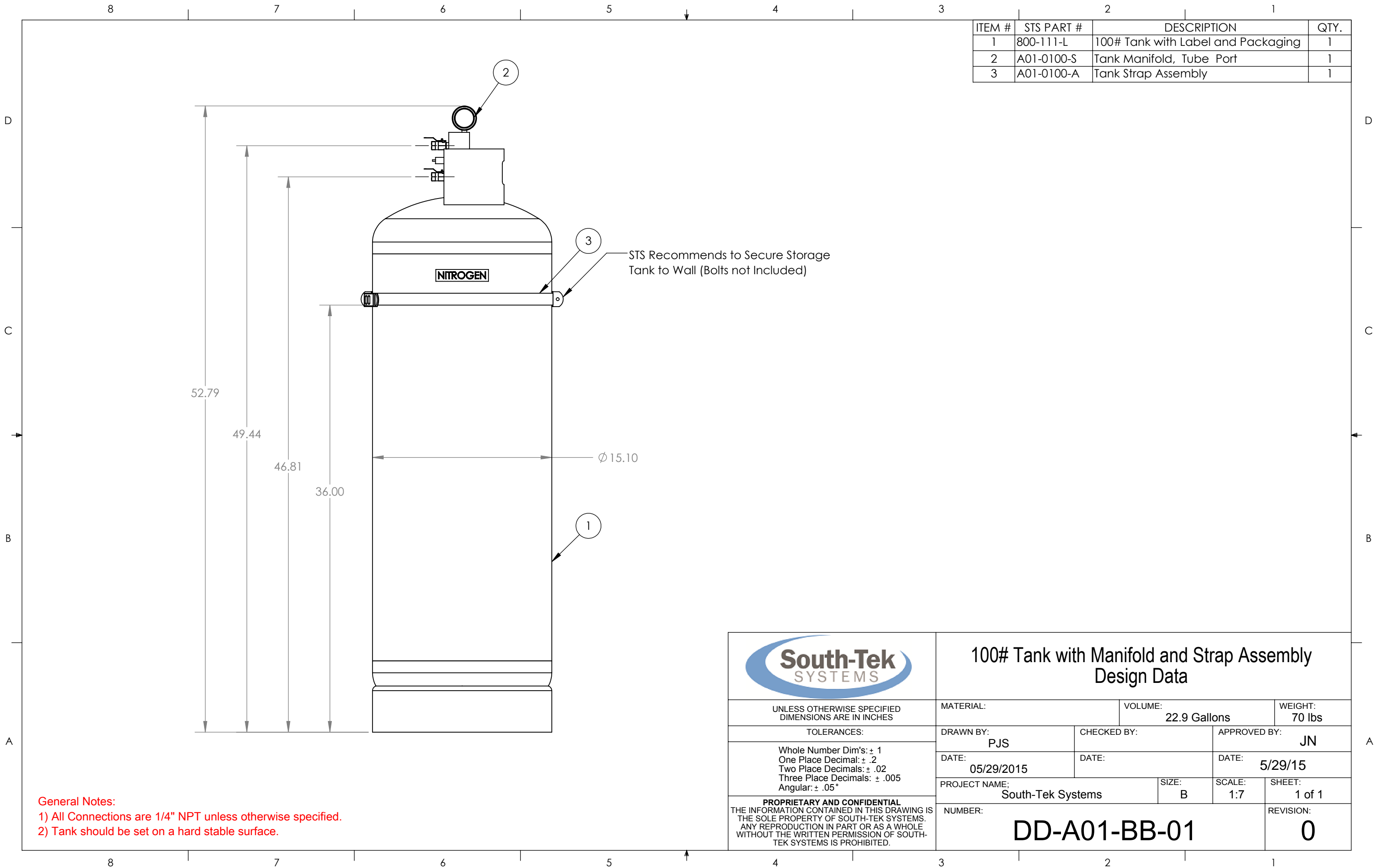


There will be (4) Shipping Bolts on the Bottom that will need to be Removed Prior to Powering on Unit

Design Data	
Purity	99.8%+
N2 Production	10.7 CFH
Kegs Per Hour	7
Ambient Temp	35° to 95° F
Electrical	110V/60Hz/1Phase
Noise Level (dbA)	>60
Weight	85 lbs

DETAIL A  
SCALE 1 : 4

	<b>BeerBlast 7KPH Design Data and Dimensions</b>			
	MATERIAL:		FINISH:	WEIGHT:
UNLESS OTHERWISE SPECIFIED DIMENSIONS ARE IN INCHES	DRAWN BY: <b>PJS</b>		CHECKED BY:	APPROVED BY: <b>JN</b>
TOLERANCES:	DATE: <b>03/25/15</b>	DATE:	DATE: <b>5/29/15</b>	
Whole Number Dim's: ± 1 One Place Decimal: ± .2 Two Place Decimals: ± .02 Three Place Decimals: ± .005 Angular: ± .05°	PROJECT NAME: <b>South-Tek Systems</b>		SIZE: <b>B</b>	SCALE: <b>1:6</b>
<p><b>PROPRIETARY AND CONFIDENTIAL</b> THE INFORMATION CONTAINED IN THIS DRAWING IS THE SOLE PROPERTY OF SOUTH-TEK SYSTEMS. ANY REPRODUCTION IN PART OR AS A WHOLE WITHOUT THE WRITTEN PERMISSION OF SOUTH-TEK SYSTEMS IS PROHIBITED.</p>	NUMBER: <b>DD-BB-07KPH</b>		SHEET: <b>1 of 1</b>	REVISION: <b>0</b>



ITEM #	STS PART #	DESCRIPTION	QTY.
1	800-111-L	100# Tank with Label and Packaging	1
2	A01-0100-S	Tank Manifold, Tube Port	1
3	A01-0100-A	Tank Strap Assembly	1

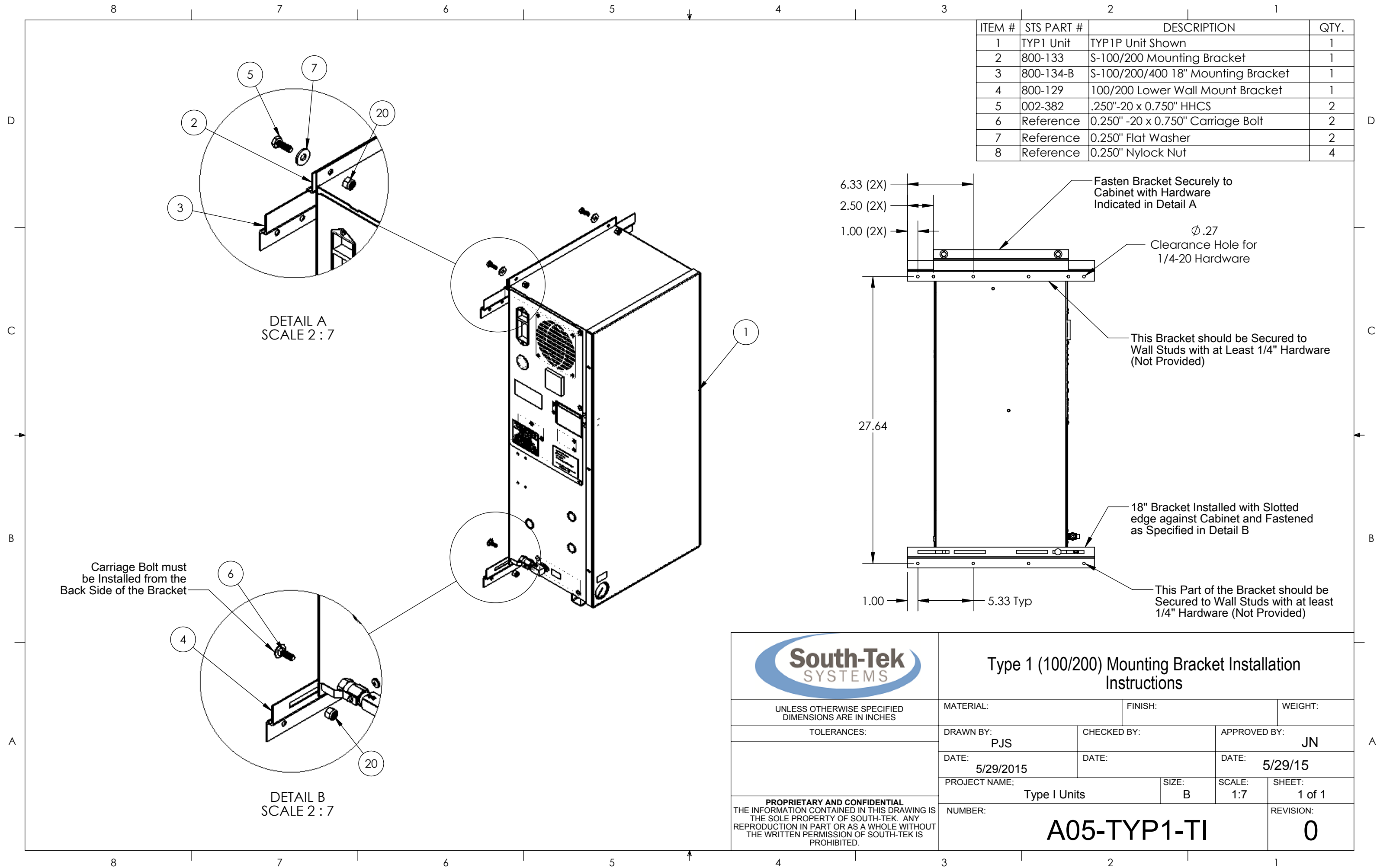
STS Recommends to Secure Storage Tank to Wall (Bolts not Included)




### 100# Tank with Manifold and Strap Assembly Design Data

UNLESS OTHERWISE SPECIFIED DIMENSIONS ARE IN INCHES	MATERIAL:	VOLUME: 22.9 Gallons	WEIGHT: 70 lbs
	TOLERANCES:		APPROVED BY: JN
Whole Number Dim's: ± 1 One Place Decimal: ± .2 Two Place Decimals: ± .02 Three Place Decimals: ± .005 Angular: ± .05°	DRAWN BY: PJS	CHECKED BY:	DATE: 5/29/15
	DATE: 05/29/2015	DATE:	DATE: 5/29/15
<b>PROPRIETARY AND CONFIDENTIAL</b> THE INFORMATION CONTAINED IN THIS DRAWING IS THE SOLE PROPERTY OF SOUTH-TEK SYSTEMS. ANY REPRODUCTION IN PART OR AS A WHOLE WITHOUT THE WRITTEN PERMISSION OF SOUTH-TEK SYSTEMS IS PROHIBITED.	PROJECT NAME: South-Tek Systems	SIZE: B	SCALE: 1:7
	NUMBER: DD-A01-BB-01	SHEET: 1 of 1	REVISION: 0

**General Notes:**  
 1) All Connections are 1/4" NPT unless otherwise specified.  
 2) Tank should be set on a hard stable surface.



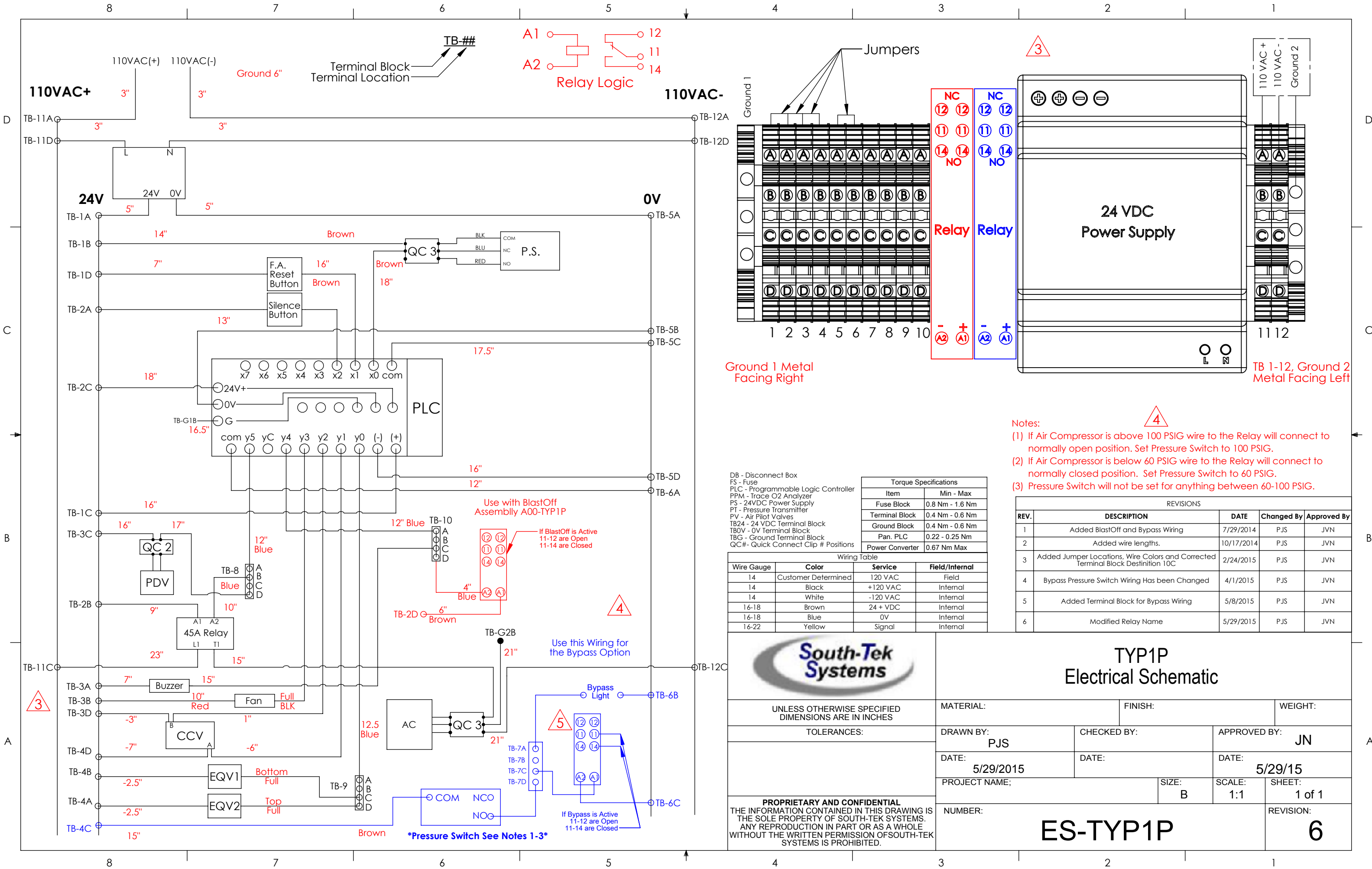
ITEM #	STS PART #	DESCRIPTION	QTY.
1	TYP1 Unit	TYP1P Unit Shown	1
2	800-133	S-100/200 Mounting Bracket	1
3	800-134-B	S-100/200/400 18" Mounting Bracket	1
4	800-129	100/200 Lower Wall Mount Bracket	1
5	002-382	.250"-20 x 0.750" HHCS	2
6	Reference	0.250" -20 x 0.750" Carriage Bolt	2
7	Reference	0.250" Flat Washer	2
8	Reference	0.250" Nylock Nut	4



### Type 1 (100/200) Mounting Bracket Installation Instructions

UNLESS OTHERWISE SPECIFIED DIMENSIONS ARE IN INCHES		MATERIAL:	FINISH:	WEIGHT:
TOLERANCES:		DRAWN BY: <b>PJS</b>	CHECKED BY:	APPROVED BY: <b>JN</b>
		DATE: <b>5/29/2015</b>	DATE:	DATE: <b>5/29/15</b>
PROJECT NAME: <b>Type I Units</b>			SIZE: <b>B</b>	SCALE: <b>1:7</b>
NUMBER: <b>A05-TYP1-TI</b>			SHEET: <b>1 of 1</b>	REVISION: <b>0</b>

**PROPRIETARY AND CONFIDENTIAL**  
 THE INFORMATION CONTAINED IN THIS DRAWING IS THE SOLE PROPERTY OF SOUTH-TEK. ANY REPRODUCTION IN PART OR AS A WHOLE WITHOUT THE WRITTEN PERMISSION OF SOUTH-TEK IS PROHIBITED.



DB - Disconnect Box  
 FS - Fuse  
 PLC - Programmable Logic Controller  
 PPM - Trace O2 Analyzer  
 PS - 24VDC Power Supply  
 PT - Pressure Transmitter  
 PV - Air Pilot Valves  
 TB24 - 24 VDC Terminal Block  
 TB0V - 0V Terminal Block  
 TBG - Ground Terminal Block  
 QC# - Quick Connect Clip # Positions

Torque Specifications	
Item	Min - Max
Fuse Block	0.8 Nm - 1.6 Nm
Terminal Block	0.4 Nm - 0.6 Nm
Ground Block	0.4 Nm - 0.6 Nm
Pan. PLC	0.22 - 0.25 Nm
Power Converter	0.67 Nm Max

Wiring Table			
Wire Gauge	Color	Service	Field/Internal
14	Customer Determined	120 VAC	Field
14	Black	+120 VAC	Internal
14	White	-120 VAC	Internal
16-18	Brown	24 + VDC	Internal
16-18	Blue	0V	Internal
16-22	Yellow	Signal	Internal

REVISIONS				
REV.	DESCRIPTION	DATE	Changed By	Approved By
1	Added BlastOff and Bypass Wiring	7/29/2014	PJS	JVN
2	Added wire lengths.	10/17/2014	PJS	JVN
3	Added Jumper Locations, Wire Colors and Corrected Terminal Block Destination 10C	2/24/2015	PJS	JVN
4	Bypass Pressure Switch Wiring Has been Changed	4/1/2015	PJS	JVN
5	Added Terminal Block for Bypass Wiring	5/8/2015	PJS	JVN
6	Modified Relay Name	5/29/2015	PJS	JVN

**South-Tek Systems**

## TYP1P Electrical Schematic

UNLESS OTHERWISE SPECIFIED DIMENSIONS ARE IN INCHES

TOLERANCES:

**PROPRIETARY AND CONFIDENTIAL**  
 THE INFORMATION CONTAINED IN THIS DRAWING IS THE SOLE PROPERTY OF SOUTH-TEK SYSTEMS. ANY REPRODUCTION IN PART OR AS A WHOLE WITHOUT THE WRITTEN PERMISSION OF SOUTH-TEK SYSTEMS IS PROHIBITED.

MATERIAL:	FINISH:	WEIGHT:
DRAWN BY: PJS	CHECKED BY:	APPROVED BY: JN
DATE: 5/29/2015	DATE:	DATE: 5/29/15
PROJECT NAME:	SIZE: B	SCALE: 1:1
NUMBER:	SHEET: 1 of 1	
<b>ES-TYP1P</b>		<b>6</b>